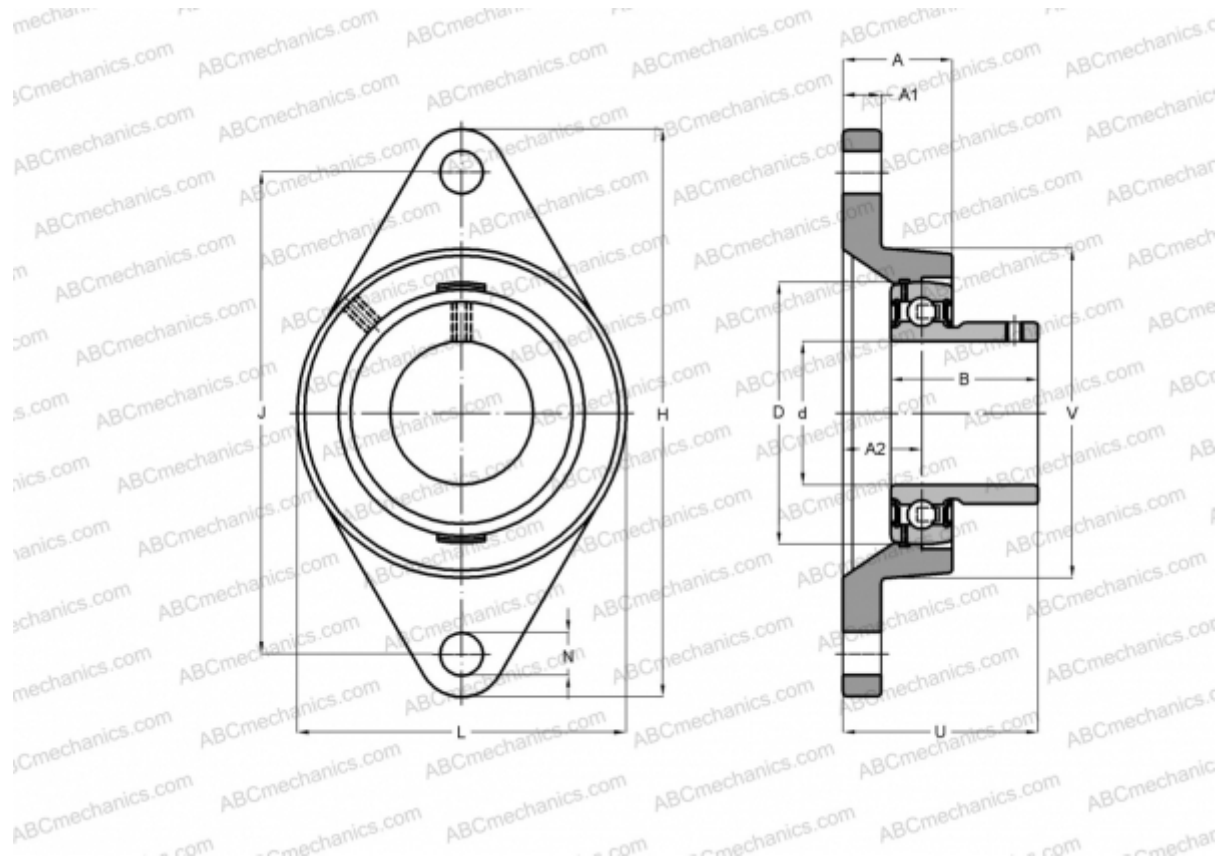


## BLFL 4J ASAHI

Ball bearing units

TYPE: Housing units, Two-bolt flanged housing units, Cast iron housing, Radial insert ball bearing with grub screws in inner ring, Type BLFL (ASAHI)



### Technical specification

#### DIMENSIONS, MM

d	20,000
D	47,000
B	24,700
L	63,000
H	90,000
A	20,000
J	71,500
A1	11,000
A2	11,000
N	10,000
U	28,700

#### WEIGHT, KG

0,300

Bearing

B 4

Housing

LFL 4J

**MANUFACTURER**

[ASAHI](#)