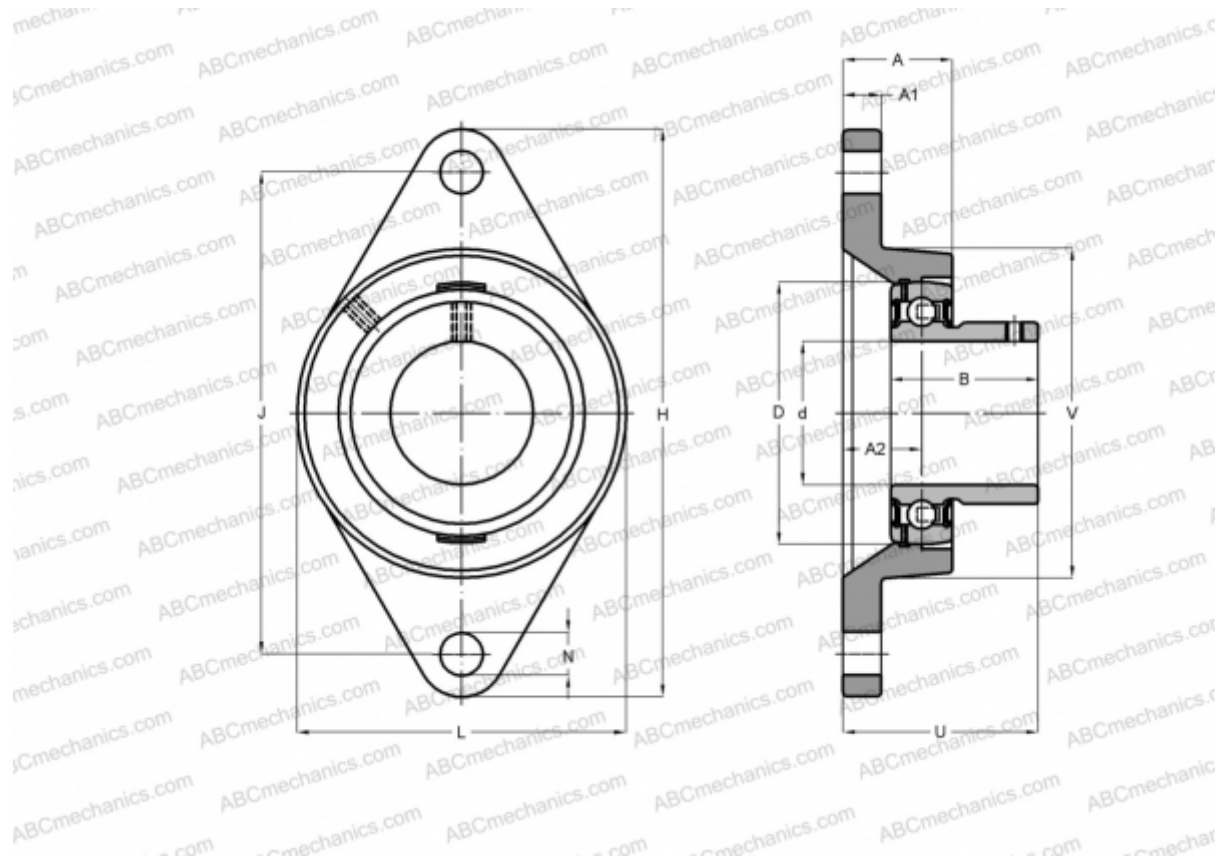


BLFL 6J ASAHI

Ball bearing units

TYPE: Housing units, Two-bolt flanged housing units, Cast iron housing, Radial insert ball bearing with grub screws in inner ring, Type BLFL (ASAHI)



Technical specification

DIMENSIONS, MM

d	30,000
D	62,000
B	30,300
L	79,000
H	113,000
A	22,500
J	90,500
A1	12,000
A2	12,000
N	12,000
U	34,300

WEIGHT, KG

0,580

Bearing

B 6

Housing

LFL 6J

MANUFACTURER

[ASAHI](#)