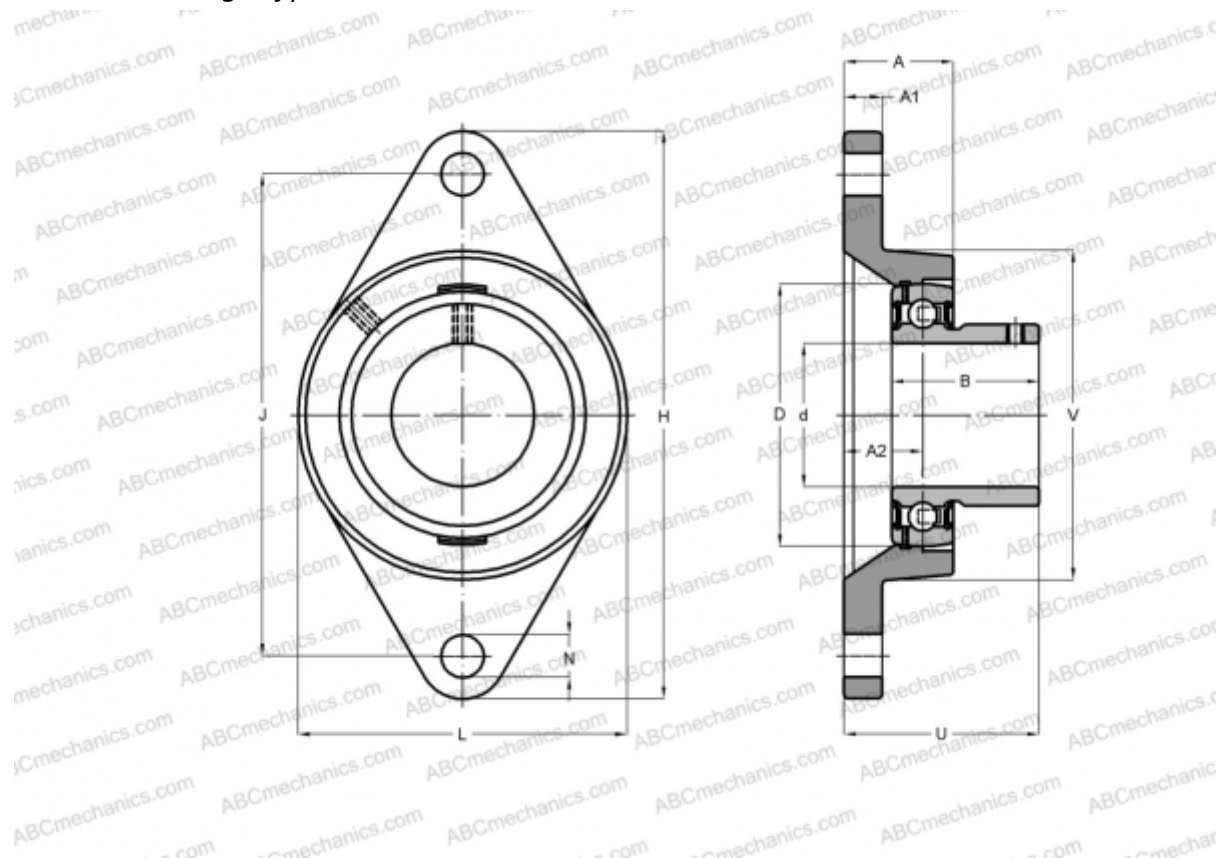


BLCTE 205K ASAHI

Ball bearing units

TYPE: Housing units, Two-bolt flanged housing units, Cast iron housing, Radial insert ball bearing with grub screws in inner ring, Type BLCTE (ASAHI)



Technical specification

DIMENSIONS, MM

| | |
|----|--------|
| d | 25,000 |
| D | 52,000 |
| B | 27,000 |
| L | 71,000 |
| H | 97,000 |
| A | 17,500 |
| J | 76,200 |
| A2 | 10,000 |
| N | 10,000 |
| U | 29,500 |

MANUFACTURER

[ASAHI](#)

WEIGHT, KG

0,490

| | |
|---------|-----------|
| Bearing | B 5 |
| Housing | LCTE 205K |