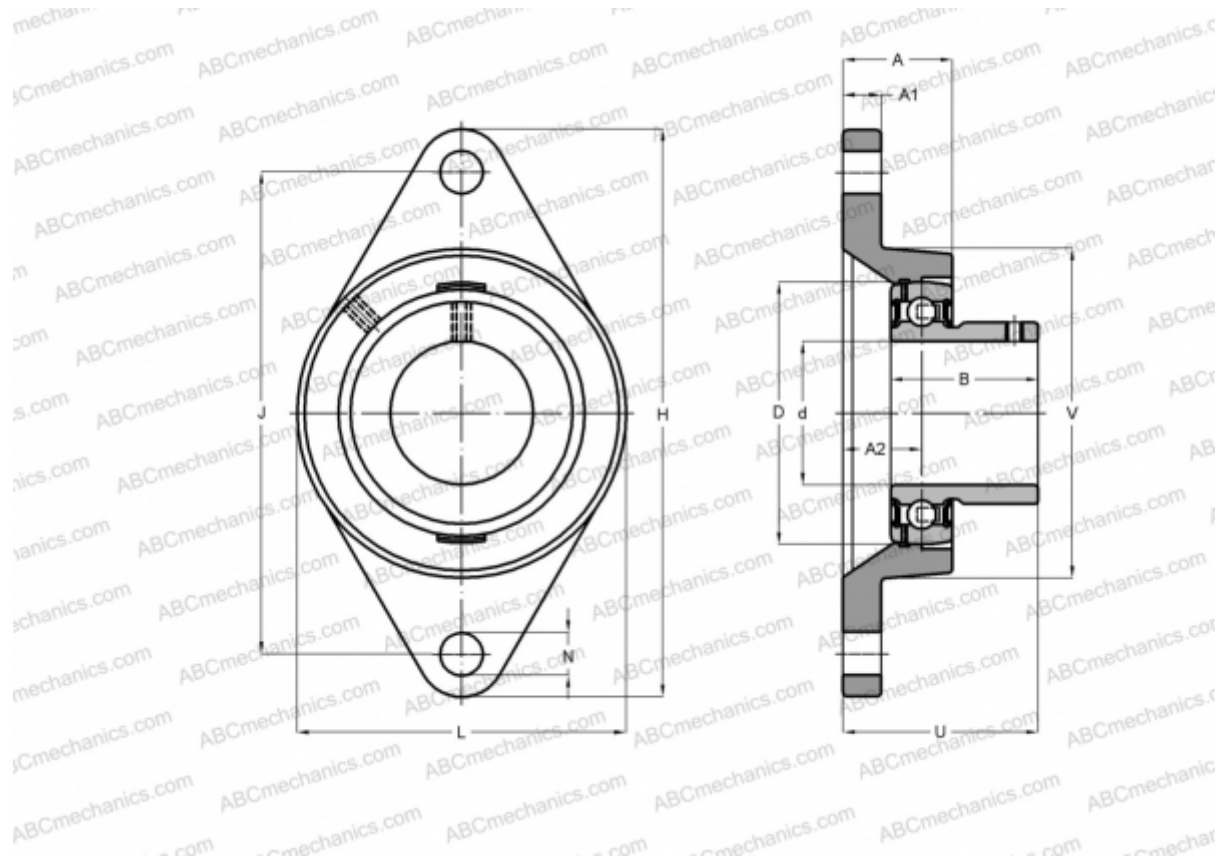


## BLCTE 206K ASAHI

Ball bearing units

TYPE: Housing units, Two-bolt flanged housing units, Cast iron housing, Radial insert ball bearing with grub screws in inner ring, Type BLCTE (ASAHI)



### Technical specification

#### DIMENSIONS, MM

d	30,000
D	62,000
B	30,300
L	84,000
H	113,000
A	20,500
J	90,500
A2	11,500
N	12,000
U	33,800

#### MANUFACTURER

[ASAHI](#)

#### WEIGHT, KG

0,770

Bearing	B 6
Housing	LCTE 206K