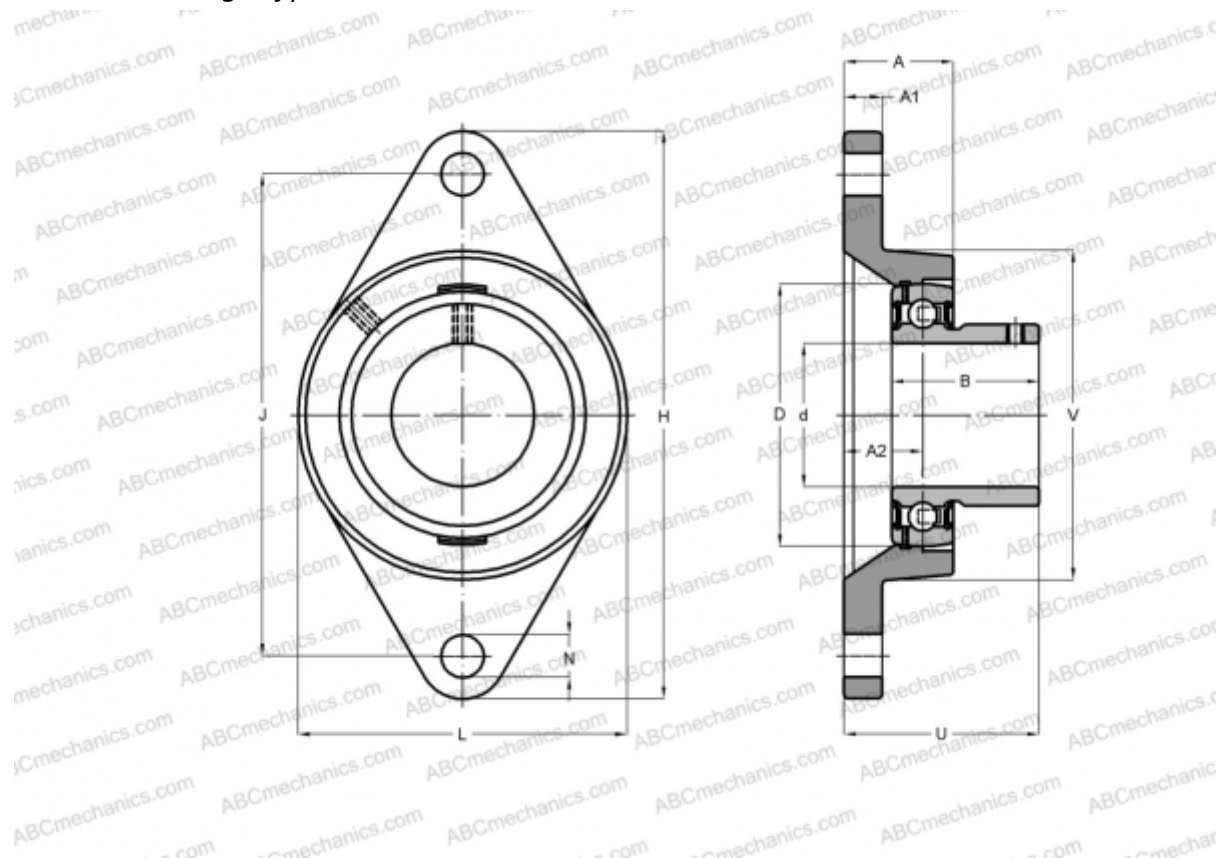


BLCTE 207K ASAHI

Ball bearing units

TYPE: Housing units, Two-bolt flanged housing units, Cast iron housing, Radial insert ball bearing with grub screws in inner ring, Type BLCTE (ASAHI)



Technical specification

DIMENSIONS, MM

d	35,000
D	72,000
B	32,900
L	94,000
H	126,000
A	22,000
J	100,000
A2	12,500
N	12,000
U	36,900

MANUFACTURER

[ASAHI](#)

WEIGHT, KG

0,980

Bearing	B 7
Housing	LCTE 207K