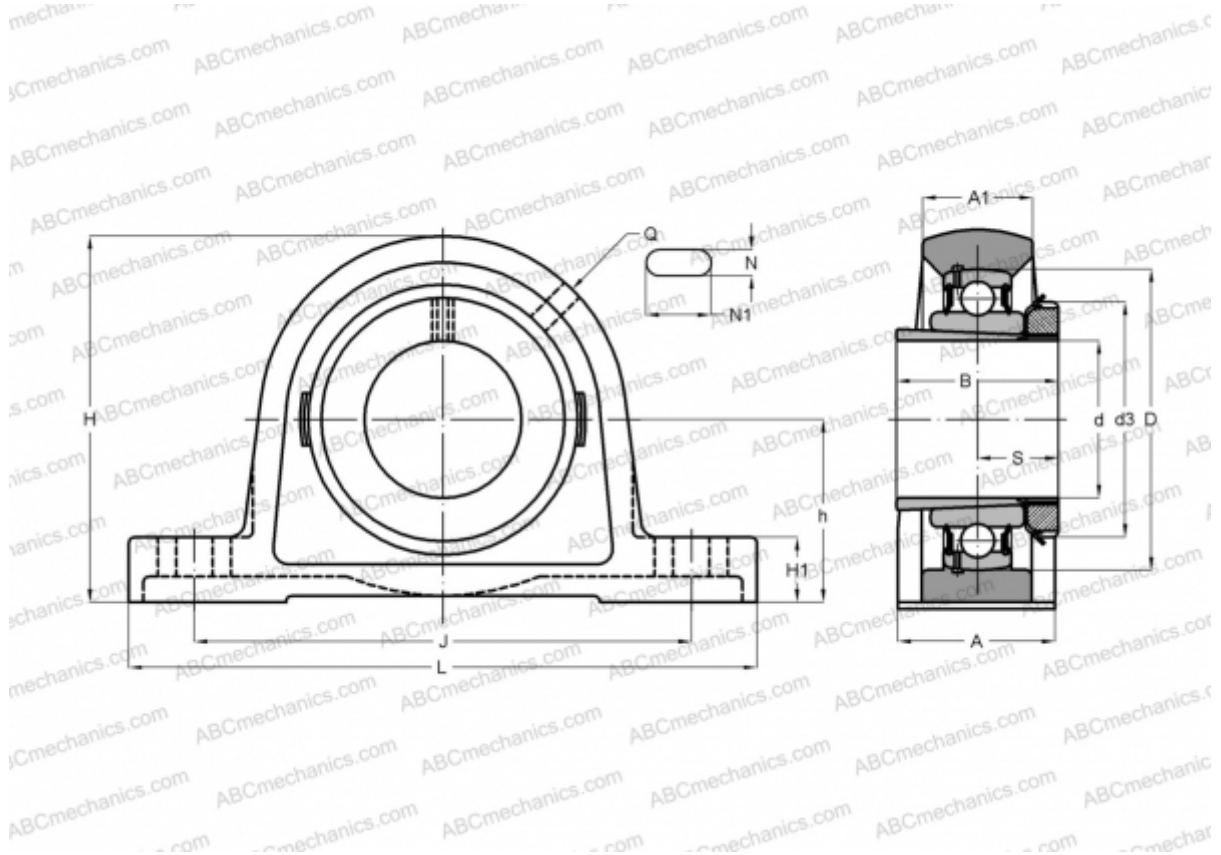


## UKP 317 + H2317 ASAHI

Ball bearing units

TYPE: Housing units, Plummer block, Cast iron housing, Radial insert ball bearing with adapter sleeve, Type UKP (ASAHI)



### Technical specification

#### DIMENSIONS, MM

d	75,000
D	180,000
B	82,000
L	420,000
H	221,000
A	110,000
J	320,000
H1	45,000
N	33,000
N1	45,000
d3	110,000
h	112,000

#### WEIGHT, KG

18,600

Bearing	UK 317
Housing	P 317
Adapter sleeve	H2317

#### MANUFACTURER

[ASAHI](#)