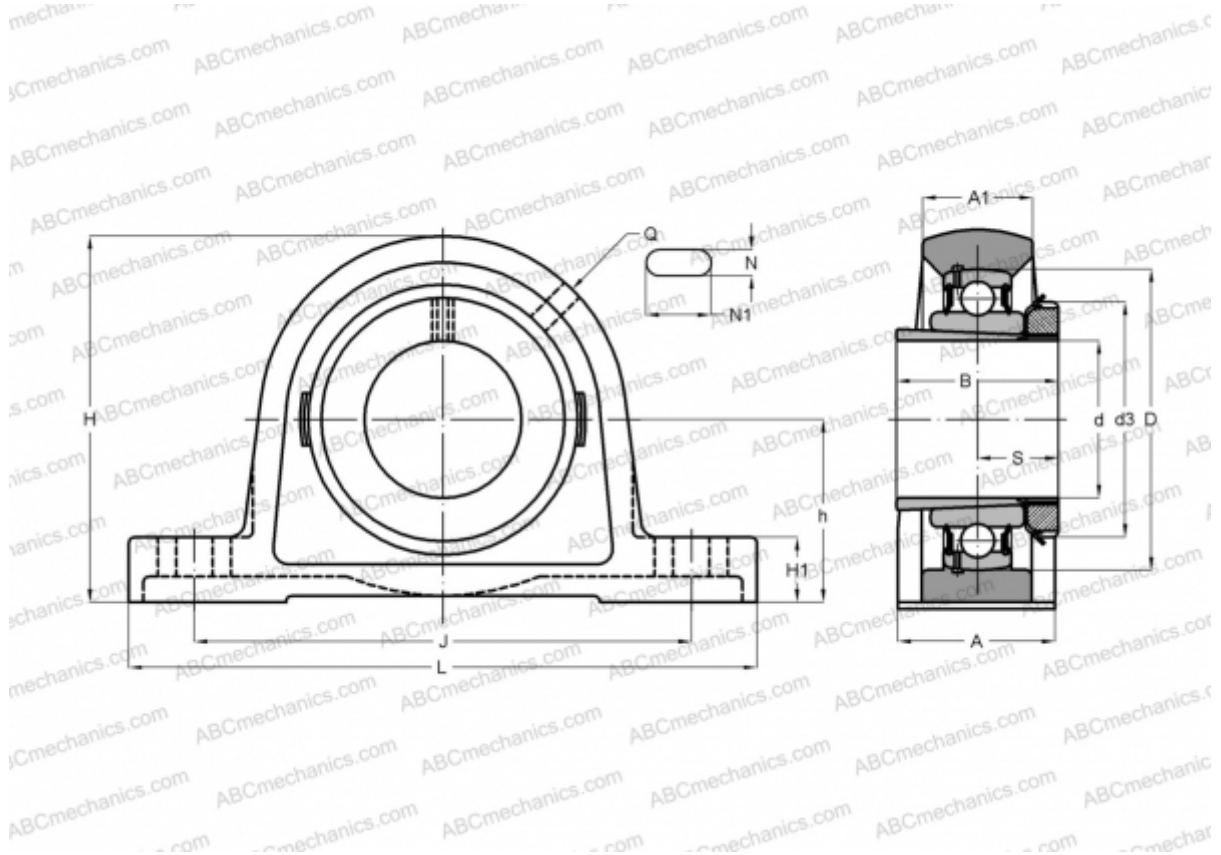


UKP 322 + H2322 ASAHI

Ball bearing units

TYPE: Housing units, Plummer block, Cast iron housing, Radial insert ball bearing with adapter sleeve, Type UKP (ASAHI)



Technical specification

DIMENSIONS, MM

d	100,000
D	240,000
B	105,000
L	520,000
H	295,000
A	140,000
J	400,000
H1	60,000
N	40,000
N1	55,000
d3	145,000
h	150,000

WEIGHT, KG

42,600

Bearing	UK 322
Housing	P 322
Adapter sleeve	H2322

MANUFACTURER

[ASAHI](#)