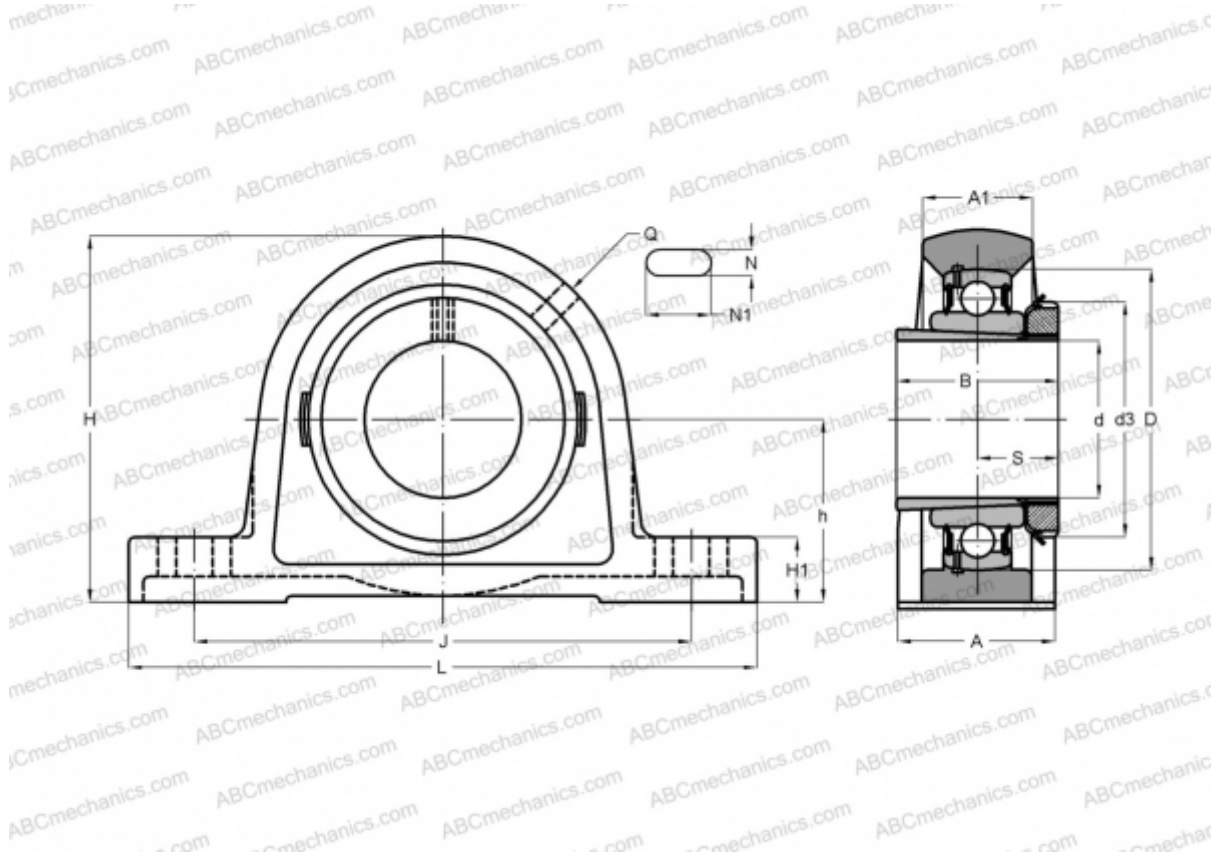


## UKP 326 + H2326 ASAHI

Ball bearing units

TYPE: Housing units, Plummer block, Cast iron housing, Radial insert ball bearing with adapter sleeve, Type UKP (ASAHI)



### Technical specification

#### DIMENSIONS, MM

d	115,000
D	280,000
B	121,000
L	600,000
H	354,000
A	140,000
J	480,000
H1	80,000
N	40,000
N1	55,000
d3	165,000
h	180,000

**WEIGHT, KG** 72,400

Bearing	UK 326
Housing	P 326
Adapter sleeve	H2326

#### MANUFACTURER

[ASAHI](#)