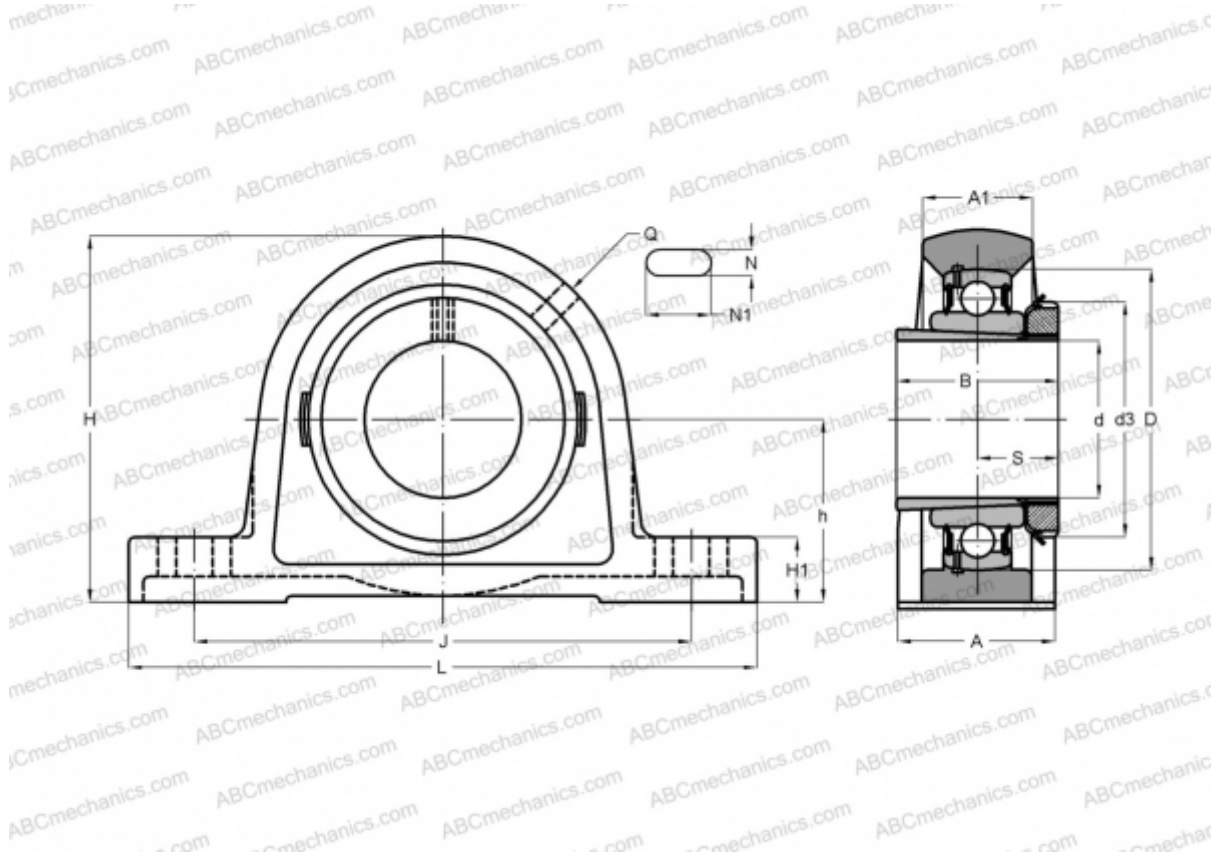


UKP X05 + H2305 ASAHI

Ball bearing units

TYPE: Housing units, Plummer block, Cast iron housing, Radial insert ball bearing with adapter sleeve, Type UKPX (ASAHI)



Technical specification

DIMENSIONS, MM

| | |
|----|---------|
| d | 20,000 |
| D | 62,000 |
| B | 35,000 |
| L | 159,000 |
| H | 85,000 |
| A | 51,000 |
| J | 119,000 |
| H1 | 18,000 |
| N | 17,000 |
| N1 | 25,000 |
| d3 | 38,000 |
| h | 44,400 |

WEIGHT, KG

1,500

| | |
|----------------|-------|
| Bearing | UKX05 |
| Housing | PX05 |
| Adapter sleeve | H2305 |

MANUFACTURER

[ASAHI](#)

REPLACES

UKPX05