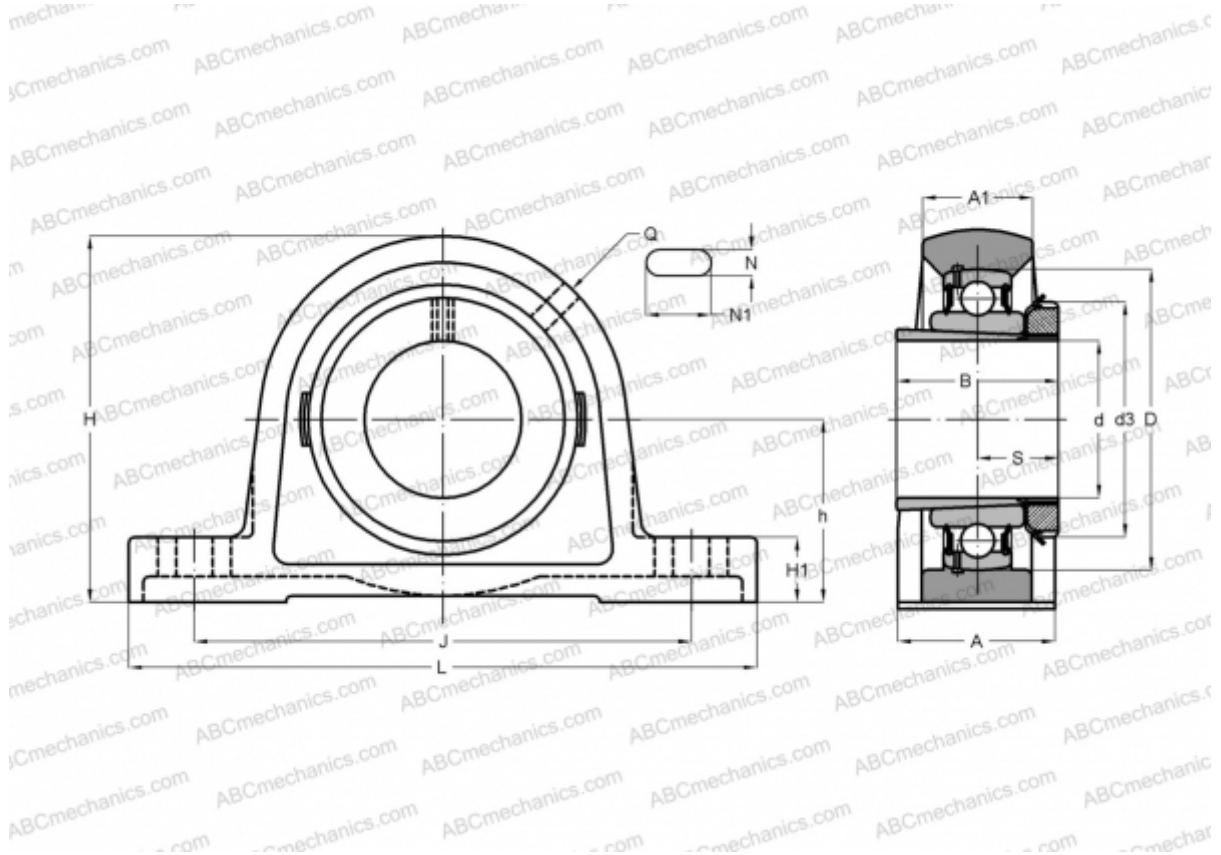


UKP X10 + H2310 ASAHI

Ball bearing units

TYPE: Housing units, Plummer block, Cast iron housing, Radial insert ball bearing with adapter sleeve, Type UKPX (ASAHI)



Technical specification

DIMENSIONS, MM

d	45,000
D	100,000
B	55,000
L	241,000
H	126,000
A	73,000
J	171,000
H1	27,000
N	20,000
N1	36,000
d3	70,000
h	63,500

WEIGHT, KG

4,300

Bearing	UKX10
Housing	PX10
Adapter sleeve	H2310

MANUFACTURER

[ASAHI](#)

REPLACES

UKPX10