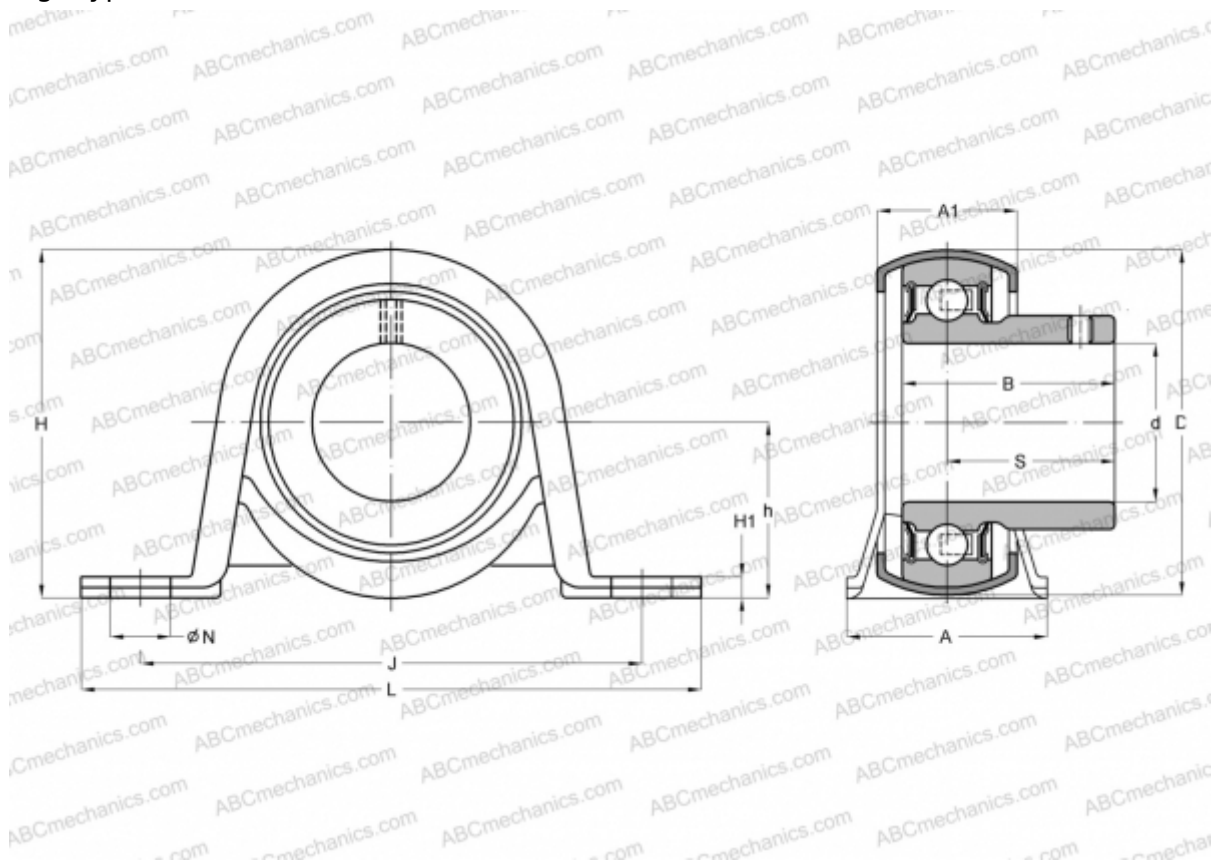


## BPP 7 ASAHI

Ball bearing units

TYPE: Housing units, Plummer block, Sheet steel housing, Radial insert ball bearing with grub screws in inner ring, Type BPP (ASAHI)



### Technical specification

#### DIMENSIONS, MM

d	35,000
D	72,000
B	32,900
L	129,000
H	78,000
A	42,000
J	106,000
H1	4,600
N	11,500
S	24,400
h	39,700

#### WEIGHT, KG

Bearing

0,610

B 7

Housing

#### MANUFACTURER

PP 7

[ASAHI](#)