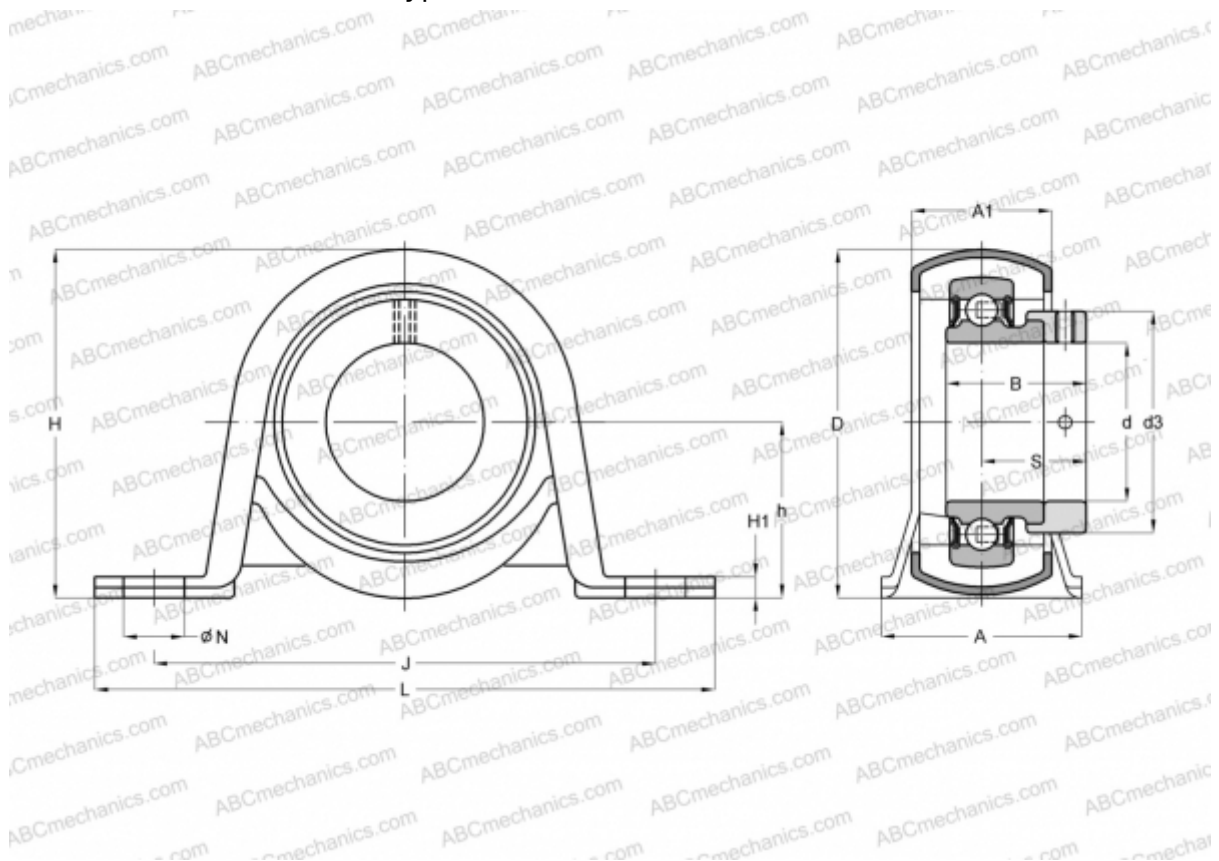


## KHPR 206 ASAHI

Ball bearing units

TYPE: Housing units, Plummer block, Sheet steel housing, Radial insert ball bearing with eccentric locking collar and rubber interliner, Type KHPR (ASAHI)



### Technical specification

#### DIMENSIONS, MM

d	30,000
D	62,000
B	35,700
L	129,000
H	78,000
A	42,000
J	106,000
H1	4,600
N	11,500
S	26,700
d3	44,500
h	39,700

#### WEIGHT, KG

0,530

Bearing	KH 206 AE
Housing	PP 7
Seal	R 7F

#### MANUFACTURER

[ASAHI](#)