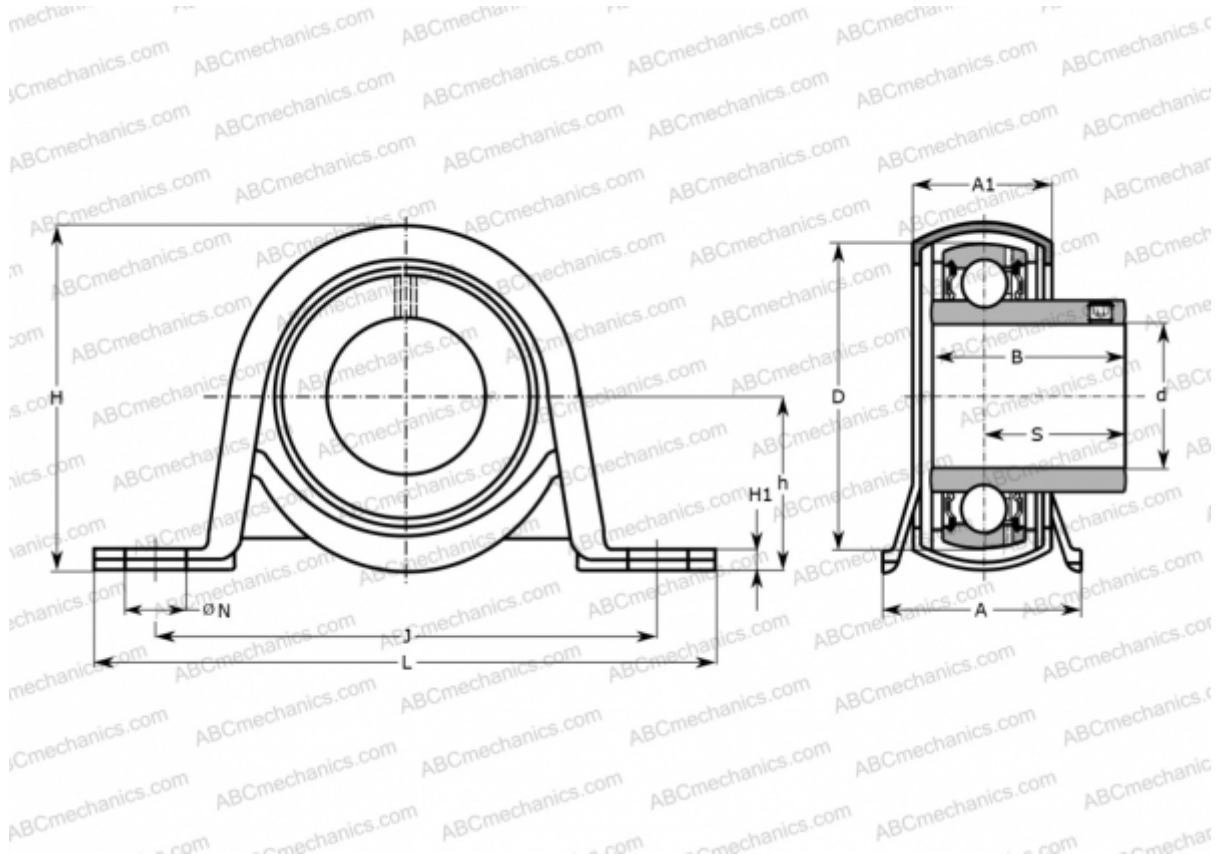


## BPR 4 ASAHI

Ball bearing units

TYPE: Housing units, Plummer block, Sheet steel housing, Radial insert ball bearing with grub screws in inner ring and rubber interliner, Type BPR (ASAHI)



### Technical specification

#### DIMENSIONS, MM

d	20,000
D	47,000
B	24,700
L	108,000
H	56,000
A	32,000
J	86,000
H1	4,000
N	11,500
S	17,700
h	28,600

#### WEIGHT, KG

0,250

Bearing

B 4

Housing

PP 5

Seal

R 5

#### MANUFACTURER

[ASAHI](#)