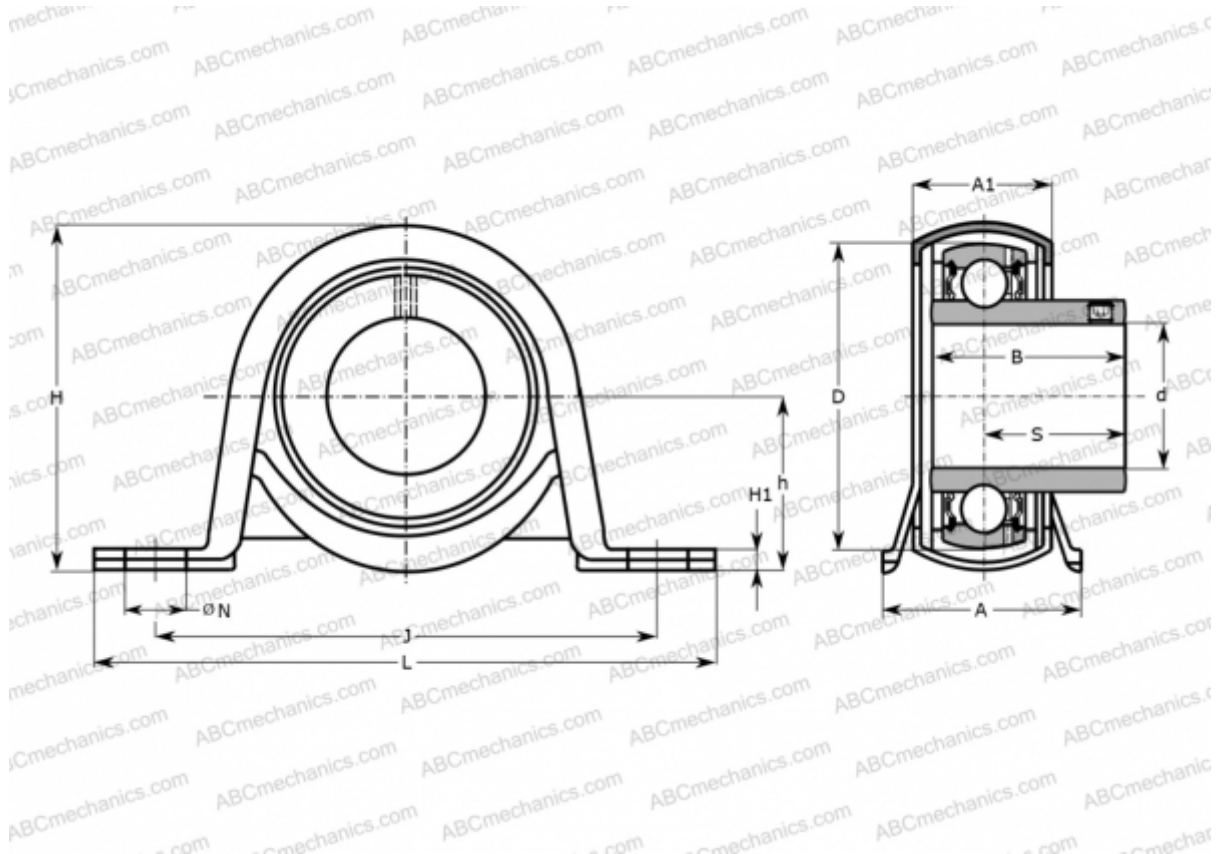


BPR 6 ASAHI

Ball bearing units

TYPE: Housing units, Plummer block, Sheet steel housing, Radial insert ball bearing with grub screws in inner ring and rubber interliner, Type BPR (ASAHI)



Technical specification

DIMENSIONS, MM

d	30,000
D	62,000
B	30,300
L	129,000
H	78,000
A	42,000
J	106,000
H1	4,600
N	11,500
S	22,300
h	39,700

WEIGHT, KG

	0,480
Bearing	B 6

Housing

PP 7

Seal

R 7

MANUFACTURER

[ASAHI](#)