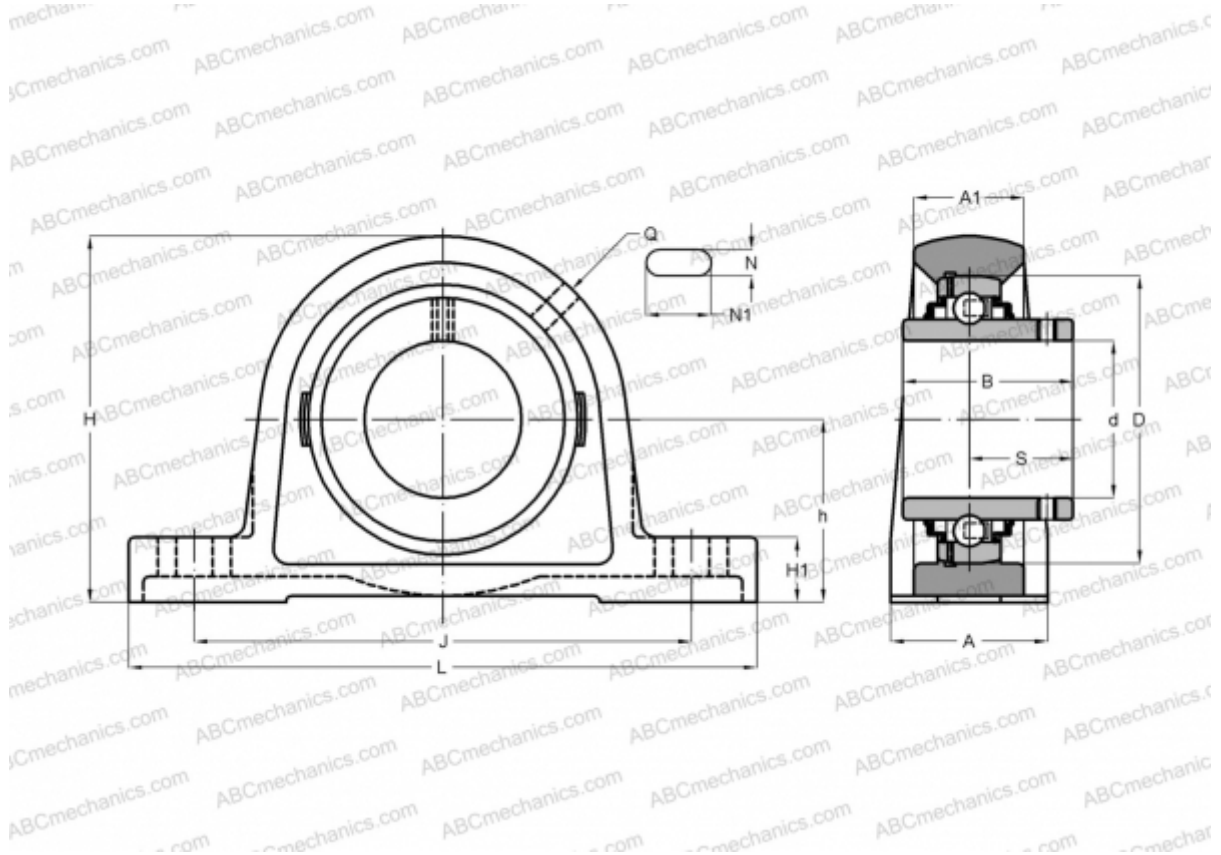


UCPK 218 ASAHI

Ball bearing units

TYPE: Housing units, Plummer block, Cast steel housing, Radial insert ball bearing with grub screws in inner ring, Type UCPK (ASAHI)



Technical specification

DIMENSIONS, MM

d	90,000
D	160,000
B	96,000
L	322,000
H	211,000
A	85,000
J	262,000
H1	34,000
N1	26,000
S	56,300
h	101,600

WEIGHT, KG

Housing	15,200
Bearing	UC 218

Housing

PK 218

MANUFACTURER

[ASAHI](http://www.asahi.com)