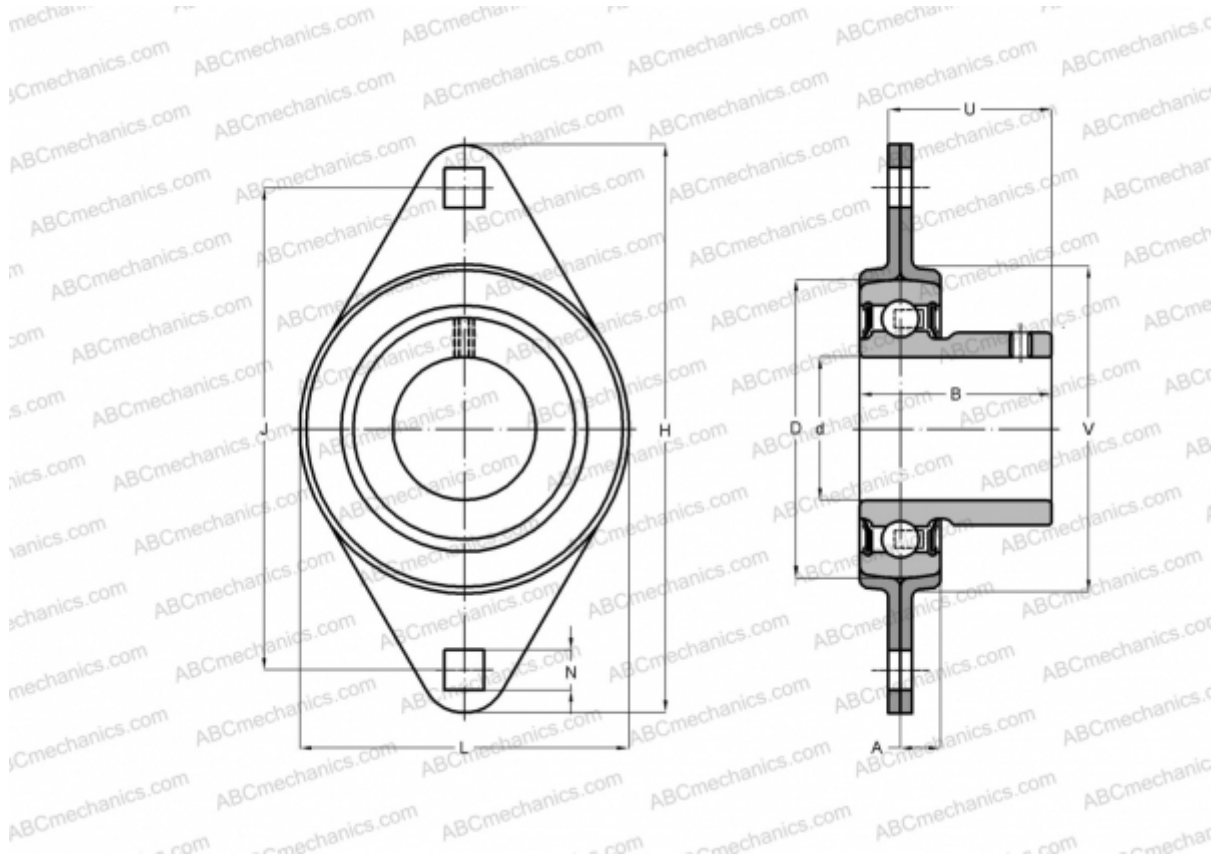


BPFL 4 ASAHI

Ball bearing units

TYPE: Housing units, Two-bolt flanged housing units, Sheet steel housing, Radial insert ball bearing with grub screws in inner ring, Type BPFL (ASAHI)



Technical specification

DIMENSIONS, MM

d	20,000
D	47,000
B	24,700
L	67,000
H	90,000
A	8,000
J	71,500
N	9,000
V	56,000

MANUFACTURER

[ASAHI](#)

WEIGHT, KG

0,290

Bearing	B 4
Housing	PFL 4