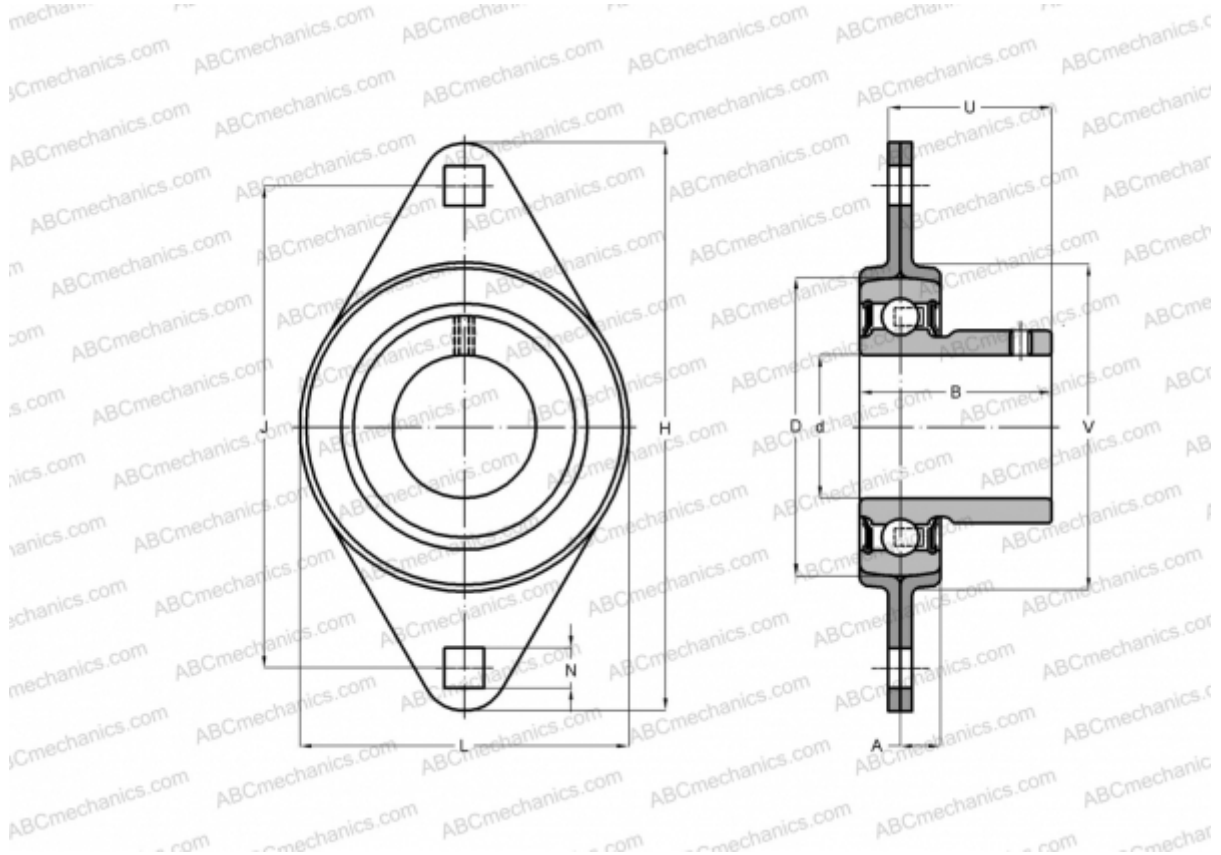


BPFL 7 ASAHI

Ball bearing units

TYPE: Housing units, Two-bolt flanged housing units, Sheet steel housing, Radial insert ball bearing with grub screws in inner ring, Type BPFL (ASAHI)



Technical specification

DIMENSIONS, MM

d	35,000
D	72,000
B	32,900
L	94,000
H	125,000
A	10,000
J	100,000
N	11,000
V	81,000

WEIGHT, KG 0,700

Bearing	B 7
Housing	PFL 7

MANUFACTURER

[ASAHI](#)