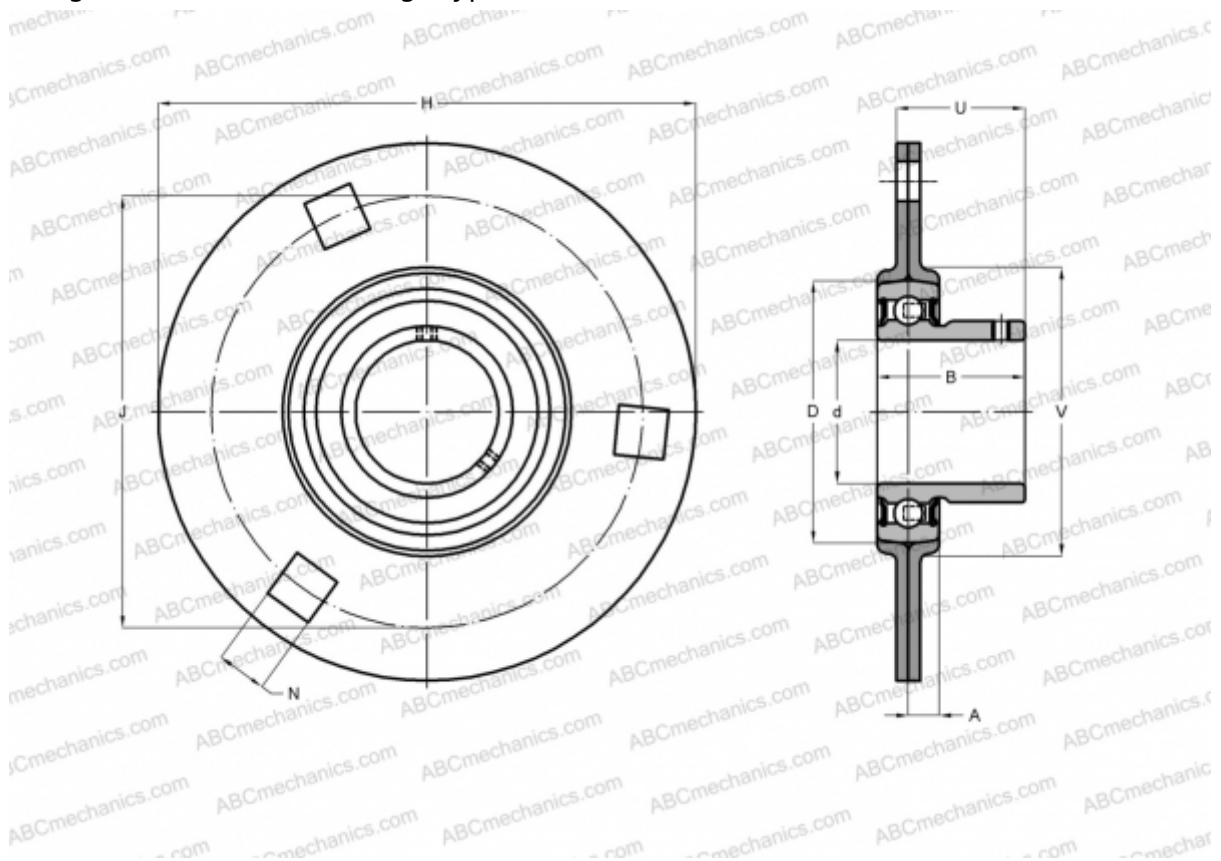


BPF 7 ASAHI

Ball bearing units

TYPE: Housing units, Three/four-bolt flanged housing units, Sheet steel housing, Radial insert ball bearing with grub screws in inner ring, Type BPF (ASAHI)



Technical specification

DIMENSIONS, MM

| | |
|---|---------|
| d | 35,000 |
| D | 72,000 |
| B | 32,900 |
| H | 120,000 |
| A | 10,000 |
| J | 100,000 |
| N | 11,000 |
| V | 81,000 |

MANUFACTURER

[ASAHI](http://www.asahi.com)

WEIGHT, KG

0,710

| | |
|---------|------|
| Bearing | B 7 |
| Housing | PF 7 |