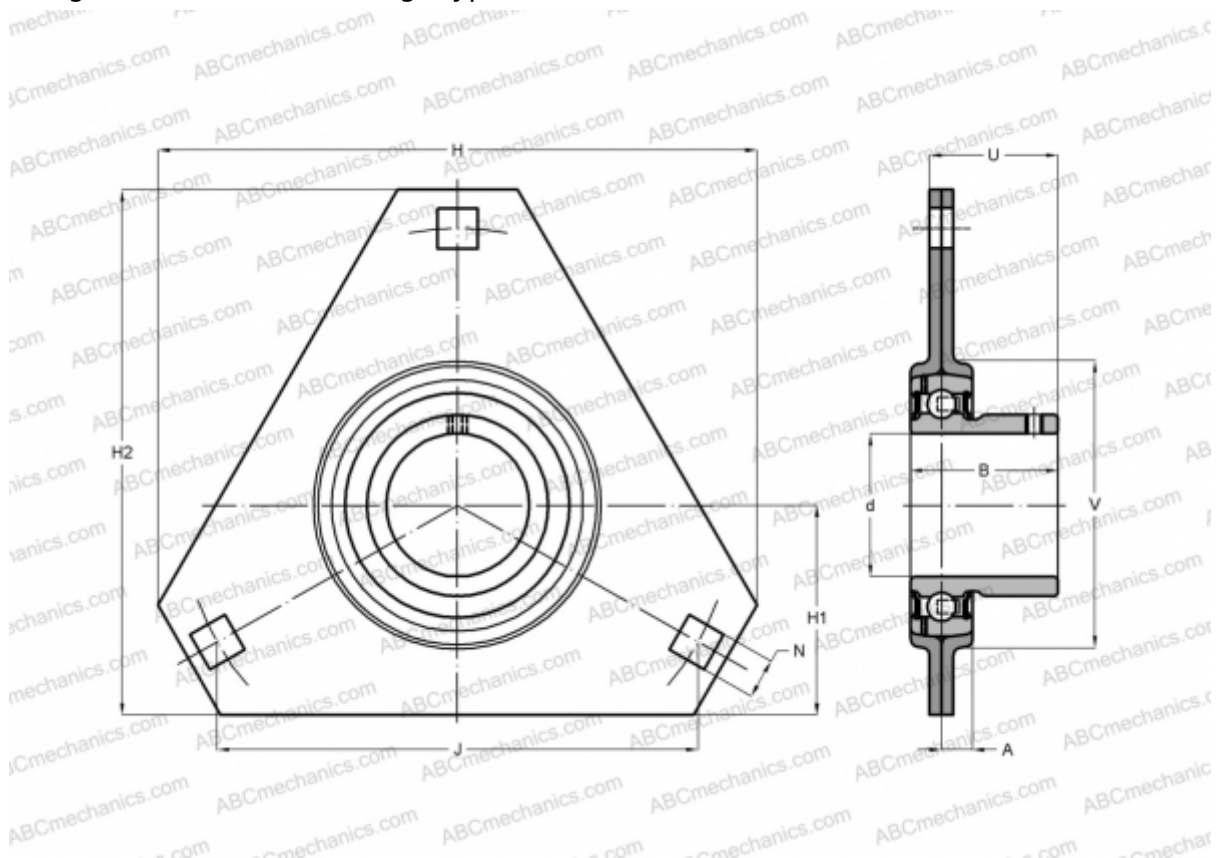


## BPFT 3 ASAHI

Ball bearing units

TYPE: Housing units, Three/four-bolt flanged housing units, Sheet steel housing, Radial insert ball bearing with grub screws in inner ring, Type BPFT (ASAHI)



### Technical specification

#### DIMENSIONS, MM

d	17,000
D	40,000
B	22,000
H	81,000
A	7,000
J	63,500
H1	29,000
N	7,000
V	49,000

#### WEIGHT, KG

Bearing	B 3
Housing	PFT 3

#### MANUFACTURER

[ASAHI](#)