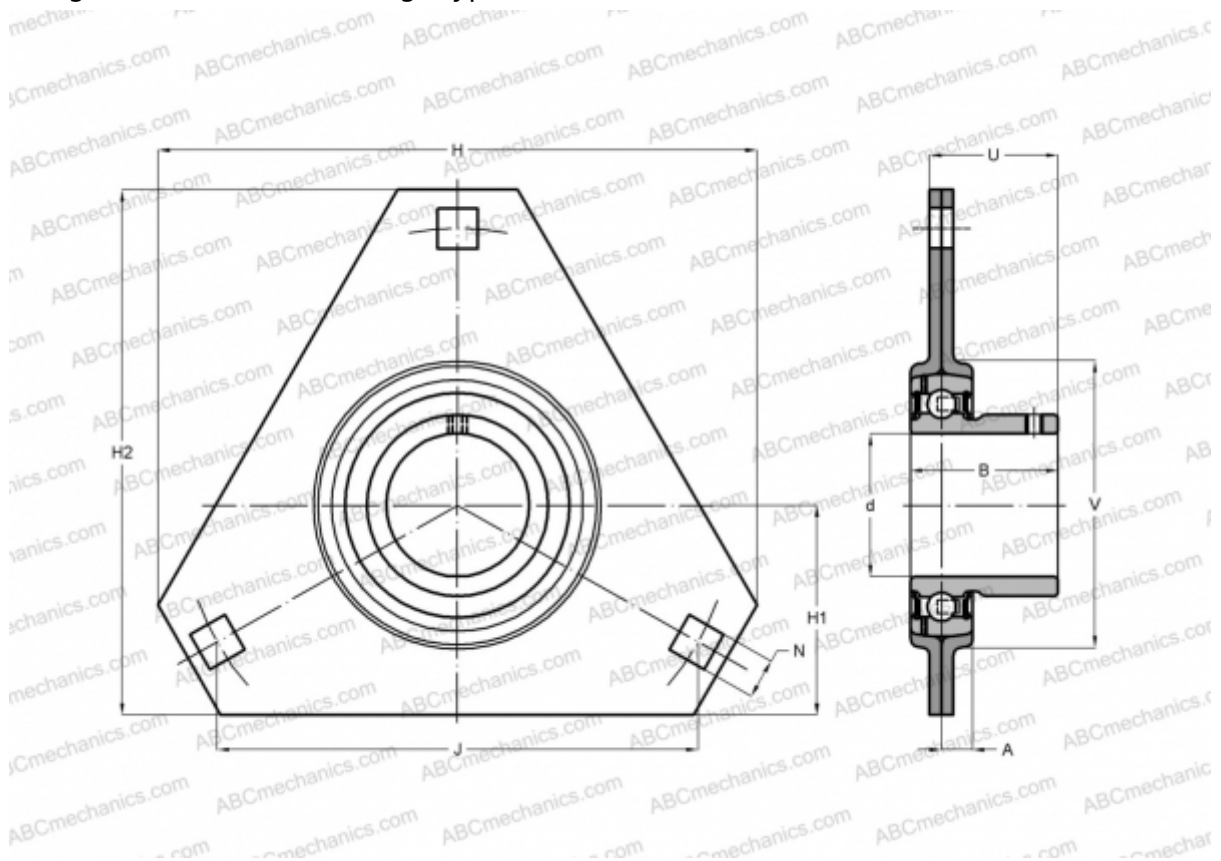


BPFT 5 ASAHI

Ball bearing units

TYPE: Housing units, Three/four-bolt flanged housing units, Sheet steel housing, Radial insert ball bearing with grub screws in inner ring, Type BPFT (ASAHI)



Technical specification

DIMENSIONS, MM

d	25,000
D	52,000
B	27,000
H	95,000
A	9,000
J	76,000
H1	35,000
N	9,000
V	60,000

WEIGHT, KG 0,350

Bearing	B 5
Housing	PFT 5

MANUFACTURER

[ASAHI](#)