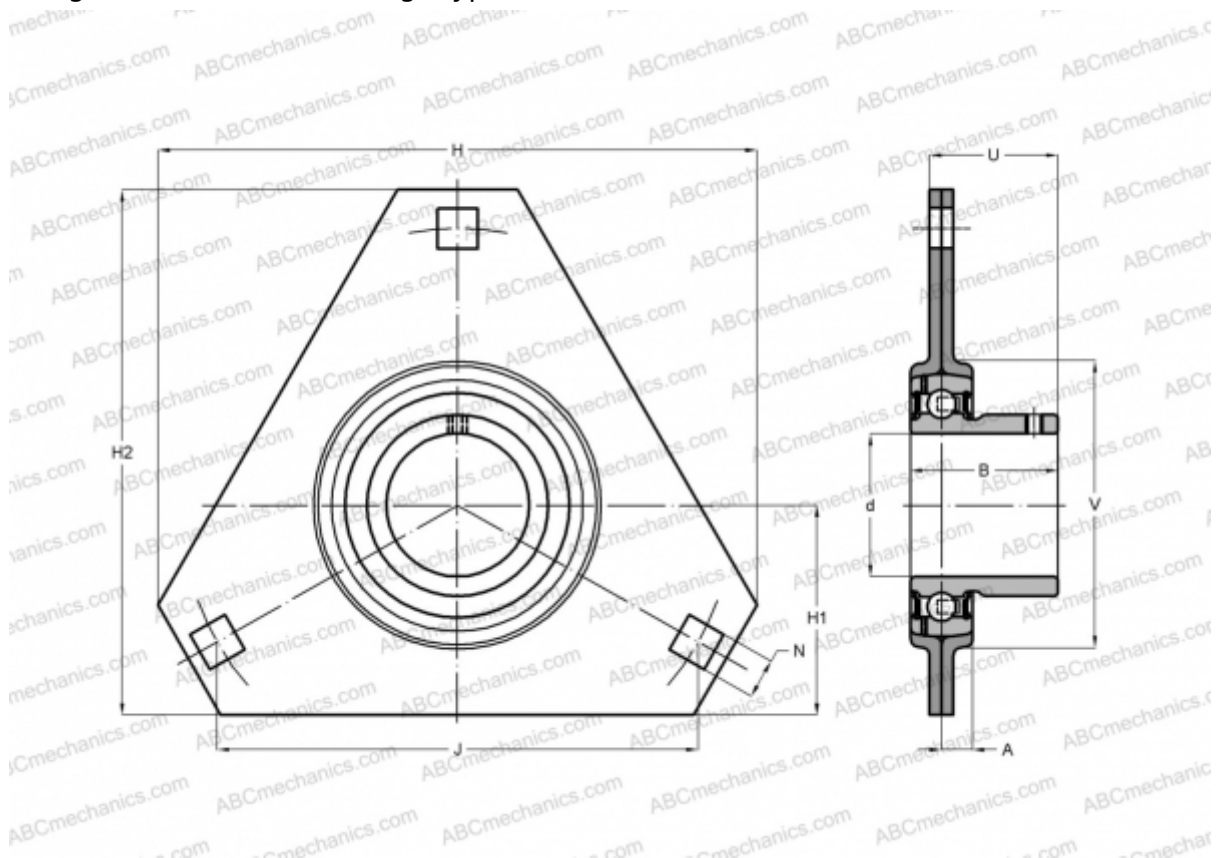


BPFT 6 ASAHI

Ball bearing units

TYPE: Housing units, Three/four-bolt flanged housing units, Sheet steel housing, Radial insert ball bearing with grub screws in inner ring, Type BPFT (ASAHI)



Technical specification

DIMENSIONS, MM

d	30,000
D	62,000
B	30,300
H	113,000
A	9,000
J	90,500
H1	38,000
N	11,000
V	71,000

WEIGHT, KG

Bearing	B 6
Housing	PFT 6

MANUFACTURER

[ASAHI](#)