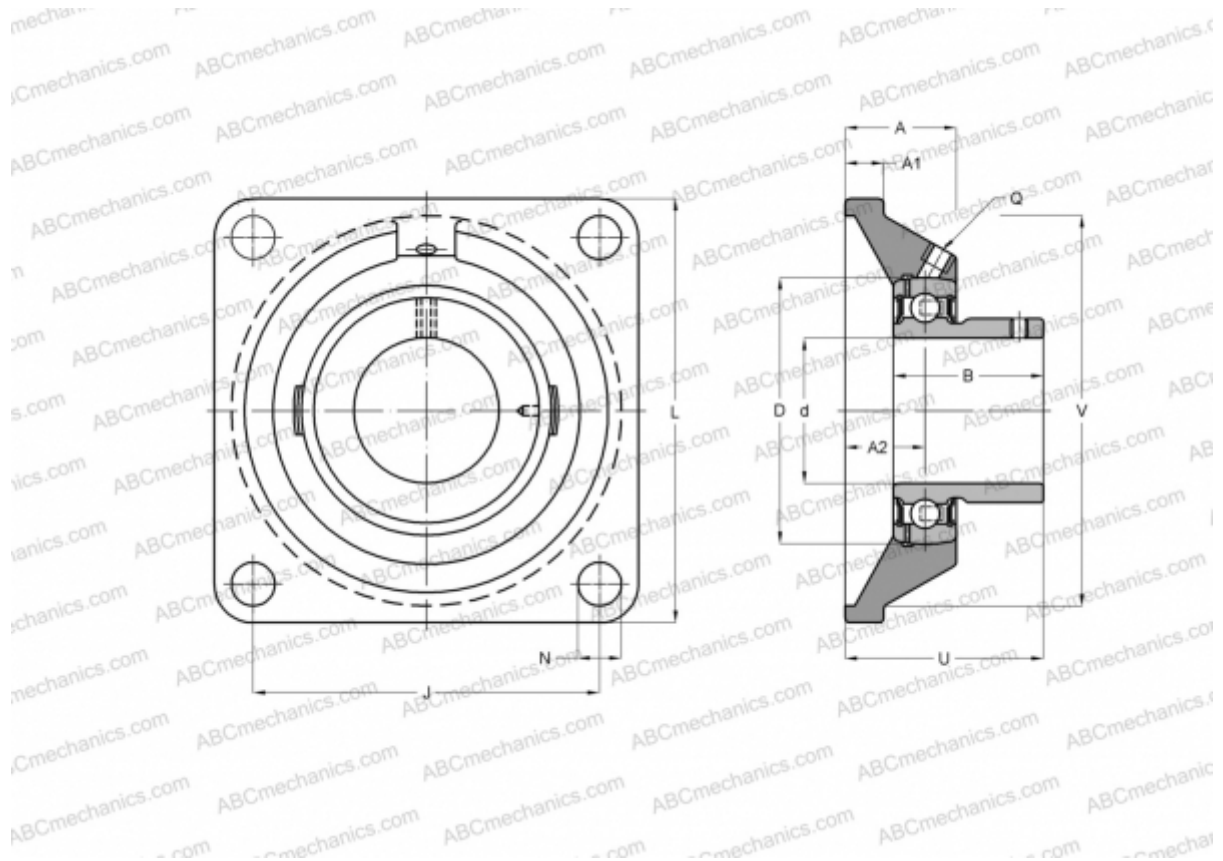


BF 205 ASAHI

Ball bearing units

TYPE: Housing units, Four-bolt flanged housing units, Cast iron housing, Radial insert ball bearing with grub screws in inner ring, Type BF (ASAHI)



Technical specification

DIMENSIONS, MM

| | |
|----|--------|
| d | 25,000 |
| D | 52,000 |
| B | 27,000 |
| L | 95,000 |
| A | 27,000 |
| J | 70,000 |
| A1 | 14,000 |
| A2 | 16,000 |
| N | 12,000 |
| U | 35,500 |

MANUFACTURER

[ASAHI](#)

WEIGHT, KG

0,790

| | |
|---------|-------|
| Bearing | B 5 |
| Housing | F 205 |