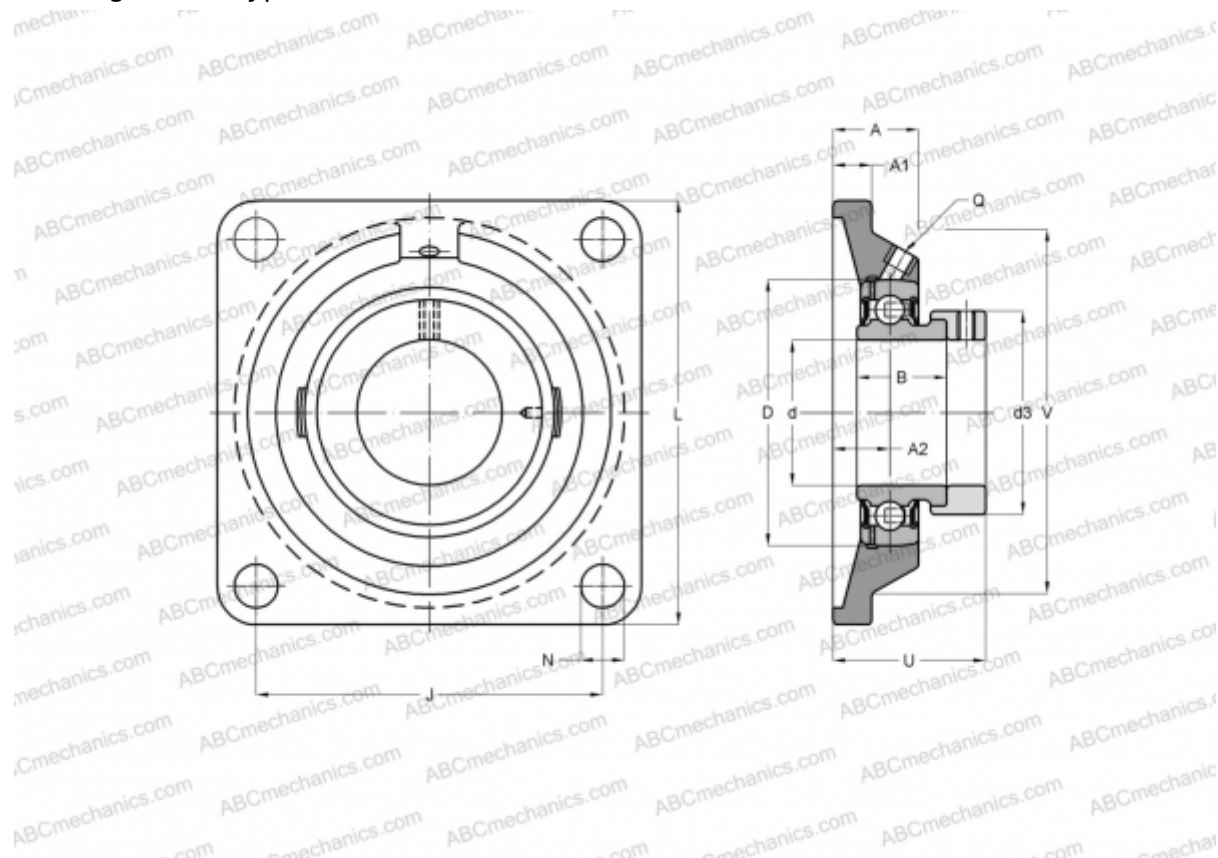


UDF 204 ASAHI

Ball bearing units

TYPE: Housing units, Four-bolt flanged housing units, Cast iron housing, Radial insert ball bearing with eccentric locking collar, Type UDF (ASAHI)



Technical specification

DIMENSIONS, MM

d	20,000
D	47,000
B	23,000
L	86,000
A	25,500
J	64,000
A1	12,000
A2	15,000
N	12,000
d3	29,000
U	34,500

Housing

F 204

MANUFACTURER

[ASAHI](#)

WEIGHT, KG

0,590

Bearing

UD204 + EE