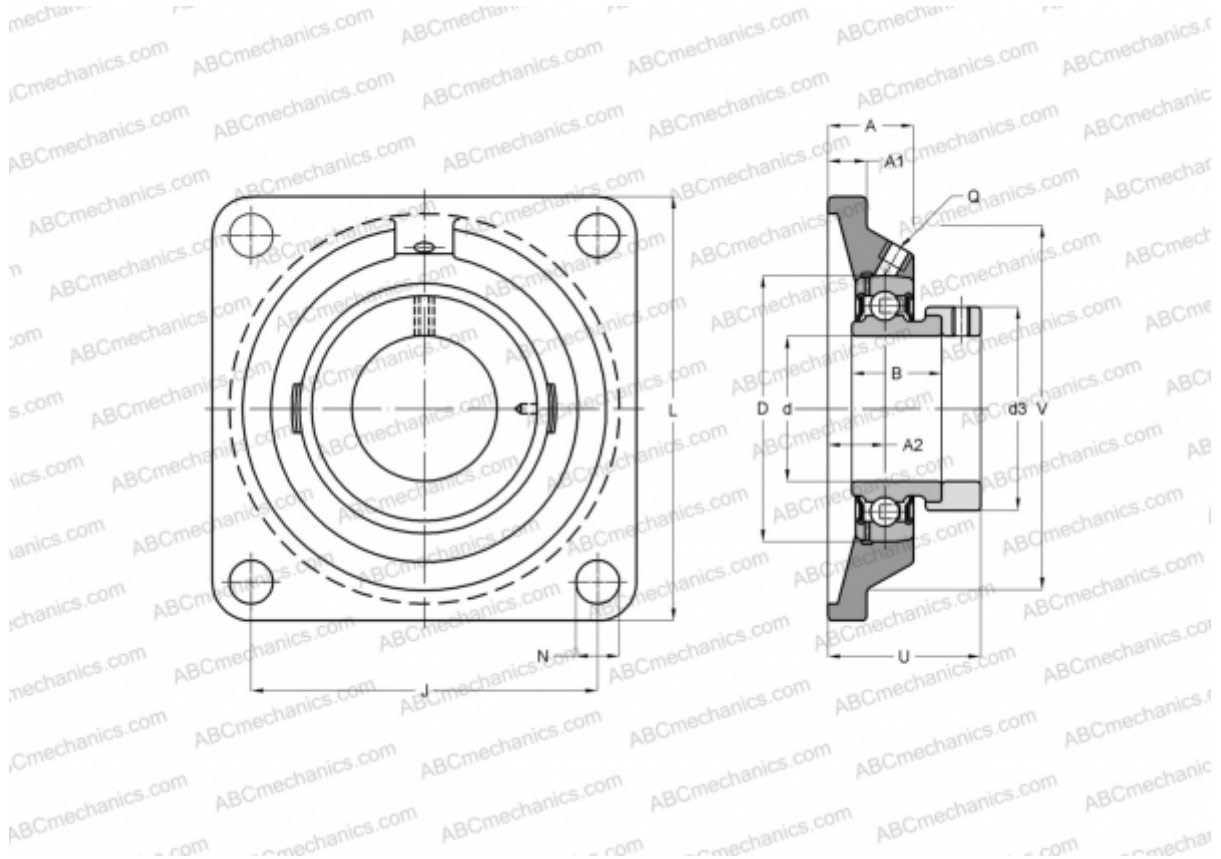


UDF 205 ASAHI

Ball bearing units

TYPE: Housing units, Four-bolt flanged housing units, Cast iron housing, Radial insert ball bearing with eccentric locking collar, Type UDF (ASAHI)



Technical specification

DIMENSIONS, MM

d	25,000
D	52,000
B	23,000
L	95,000
A	27,000
J	70,000
A1	14,000
A2	16,000
N	12,000
d3	34,000
U	36,500

WEIGHT, KG 0,810

Bearing UD205 + EE

Housing

MANUFACTURER

F 205

[ASAHI](#)