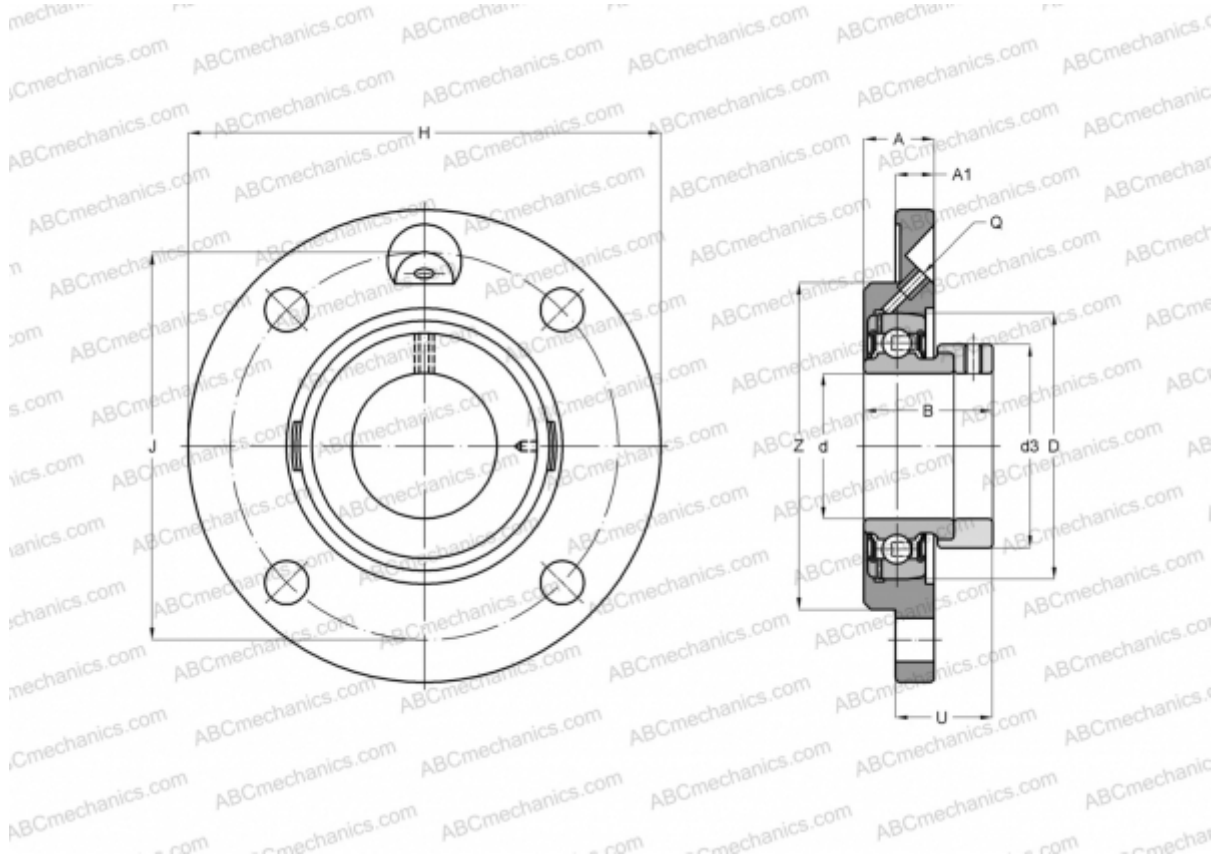


UDFC 206 ASAHI

Ball bearing units

TYPE: Housing units, Four-bolt flanged housing units, Cast iron housing, Radial insert ball bearing with eccentric locking collar, Type UDFC (ASAHI)



Technical specification

DIMENSIONS, MM

d	30,000
D	62,000
B	36,000
H	125,000
A	23,000
J	100,000
A1	8,000
N	12,000
d3	40,000
U	33,000
Z	80,000

WEIGHT, KG 1,500

Bearing UD 206 + EE

Housing

FC 206

MANUFACTURER

[ASAHI](http://www.asahi.com)