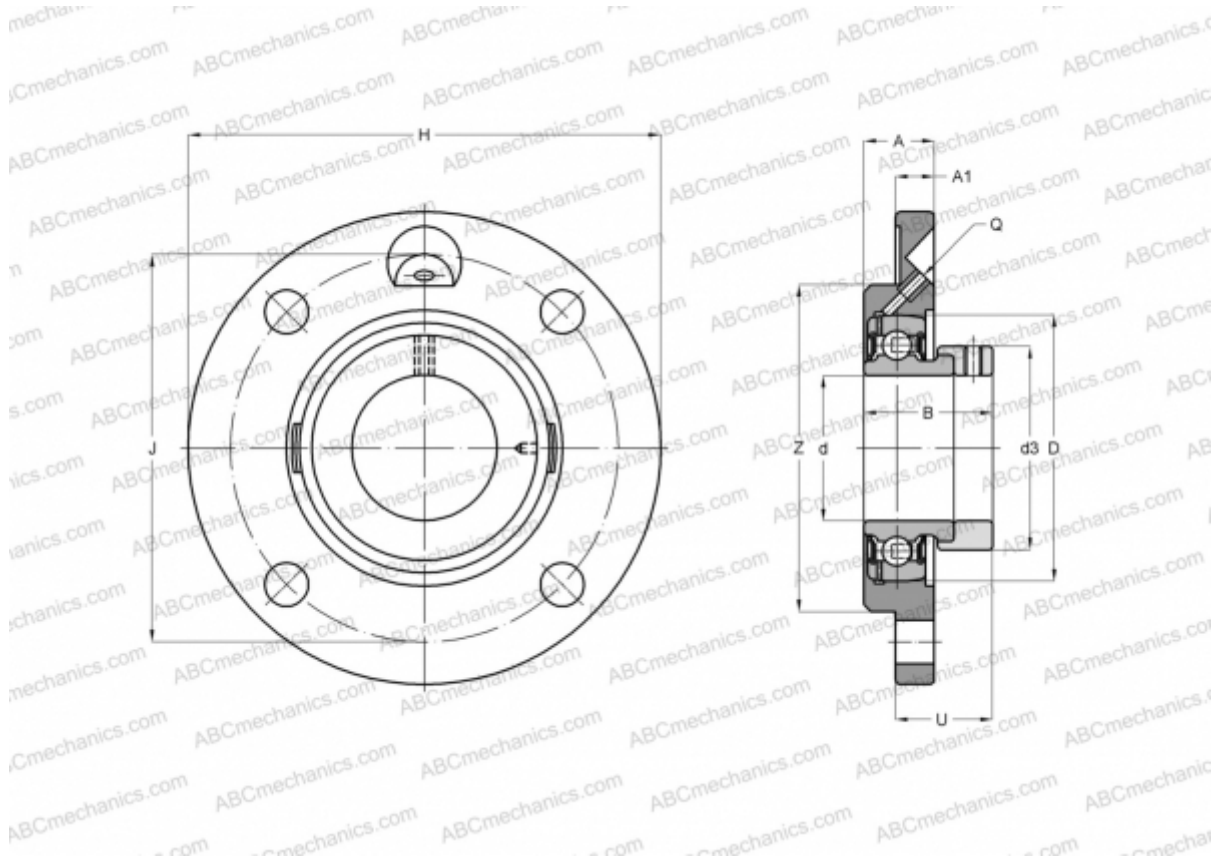


## UDFC 207 ASAHI

Ball bearing units

TYPE: Housing units, Four-bolt flanged housing units, Cast iron housing, Radial insert ball bearing with eccentric locking collar, Type UDFC (ASAHI)



### Technical specification

#### DIMENSIONS, MM

d	35,000
D	72,000
B	38,000
H	135,000
A	26,000
J	110,000
A1	9,000
N	14,000
d3	48,000
U	35,500
Z	90,000

**WEIGHT, KG** 1,700

Bearing UD 207 + EE

Housing

FC 207

**MANUFACTURER**

[ASAHI](http://www.asahi.com)