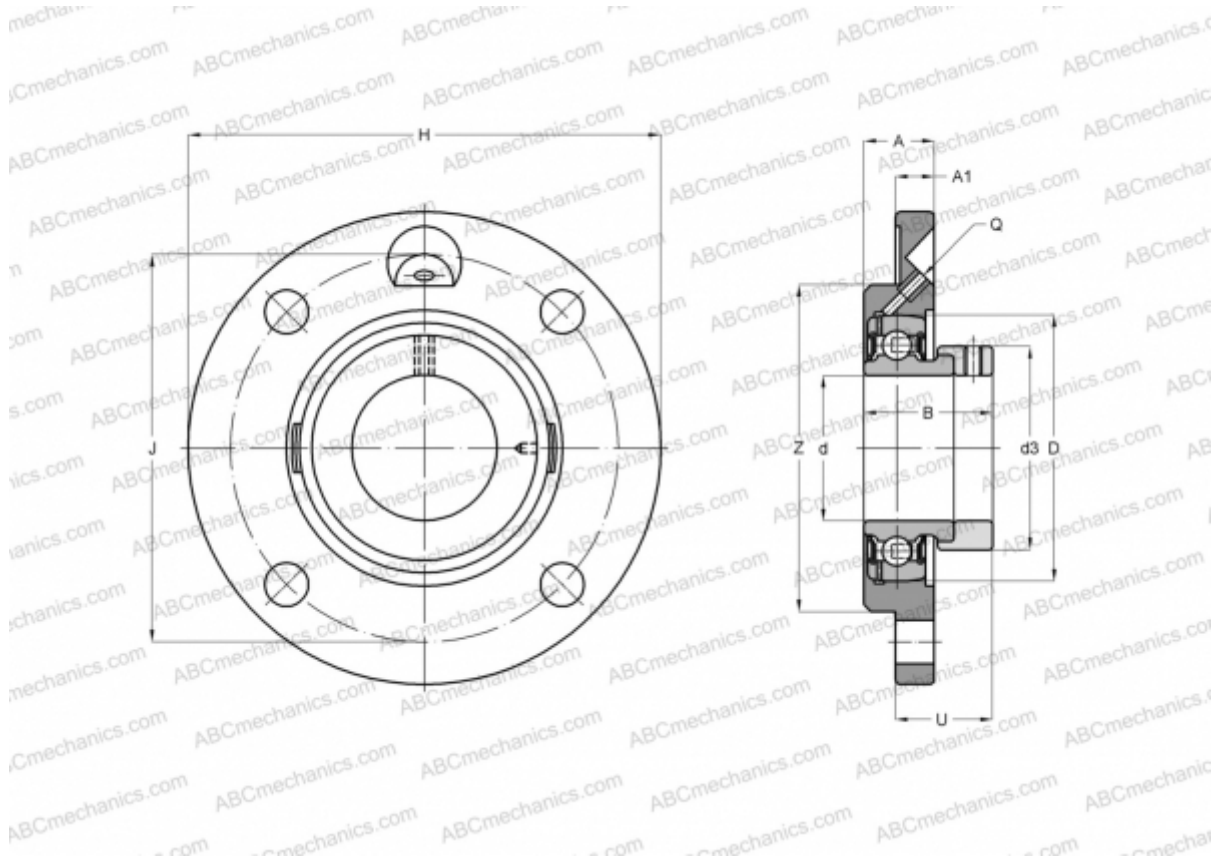


## UDFC 208 ASAHI

Ball bearing units

TYPE: Housing units, Four-bolt flanged housing units, Cast iron housing, Radial insert ball bearing with eccentric locking collar, Type UDFC (ASAHI)



### Technical specification

#### DIMENSIONS, MM

d	40,000
D	80,000
B	40,000
H	145,000
A	26,000
J	120,000
A1	9,000
N	14,000
d3	53,000
U	36,500
Z	100,000

**WEIGHT, KG** 2,000

Bearing UD 208 + EE

Housing

FC 208

#### MANUFACTURER

[ASAHI](#)