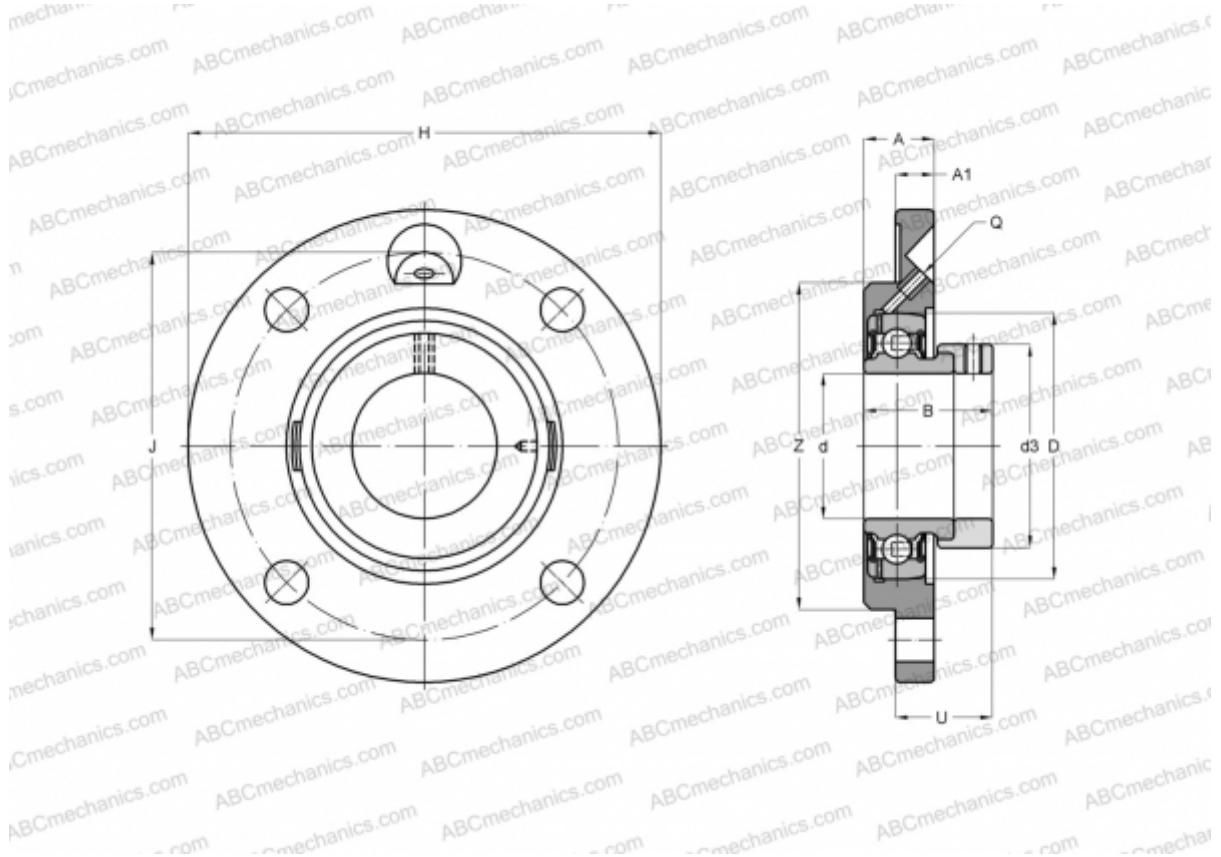


UDFC 209 ASAHI

Ball bearing units

TYPE: Housing units, Four-bolt flanged housing units, Cast iron housing, Radial insert ball bearing with eccentric locking collar, Type UDFC (ASAHI)



Technical specification

DIMENSIONS, MM

d	45,000
D	85,000
B	42,000
H	160,000
A	26,000
J	132,000
A1	14,000
N	16,000
d3	57,000
U	37,000
Z	105,000

WEIGHT, KG 2,900

Bearing UD 209 + EE

Housing

FC 209

MANUFACTURER

[ASAHI](#)