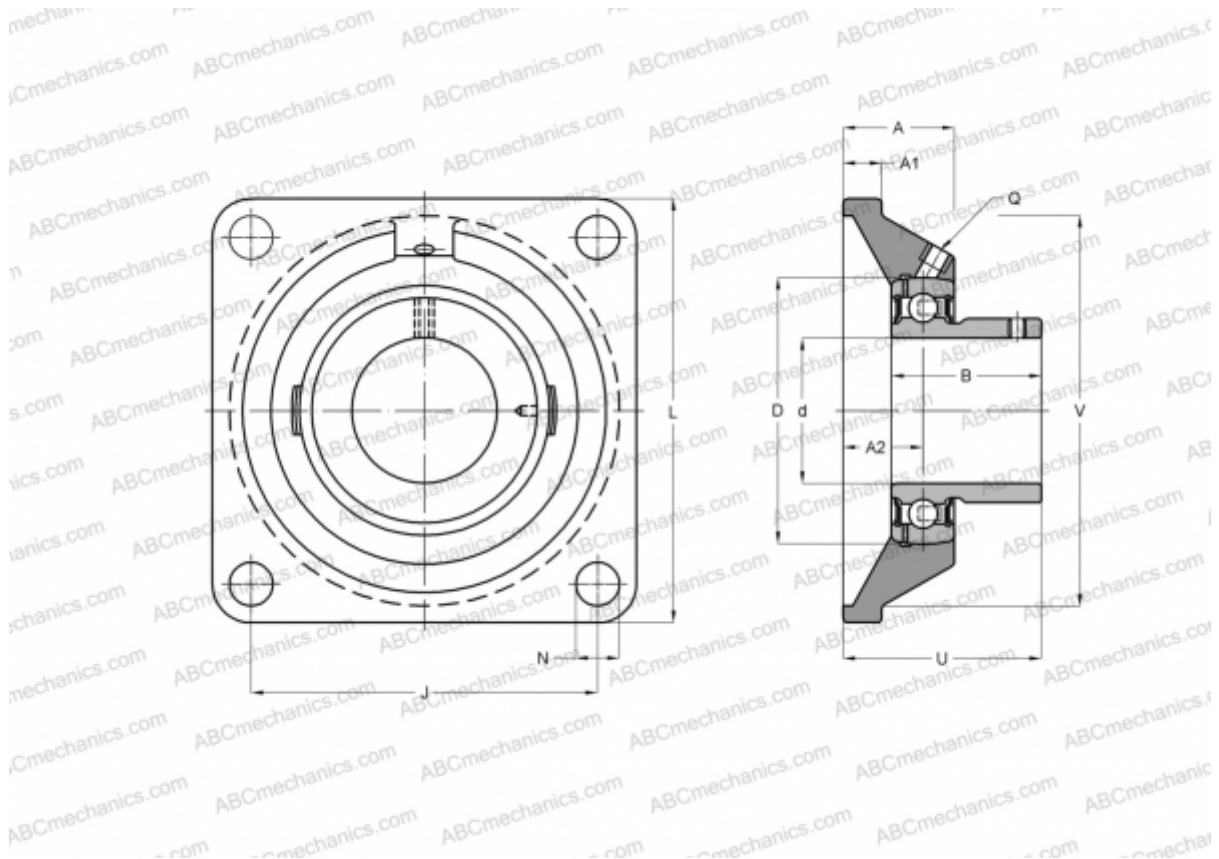


## UCF 322 ASAHI

Ball bearing units

TYPE: Housing units, Four-bolt flanged housing units, Cast iron housing, Radial insert ball bearing with grub screws in inner ring, Type UCF (ASAHI)



### Technical specification

#### DIMENSIONS, MM

d	110,000
D	240,000
B	117,000
L	340,000
A	96,000
J	266,000
A1	35,000
A2	60,000
N	41,000
U	131,000

#### MANUFACTURER

[ASAHI](#)

#### WEIGHT, KG

34,700

Bearing	UC 322
Housing	F 322