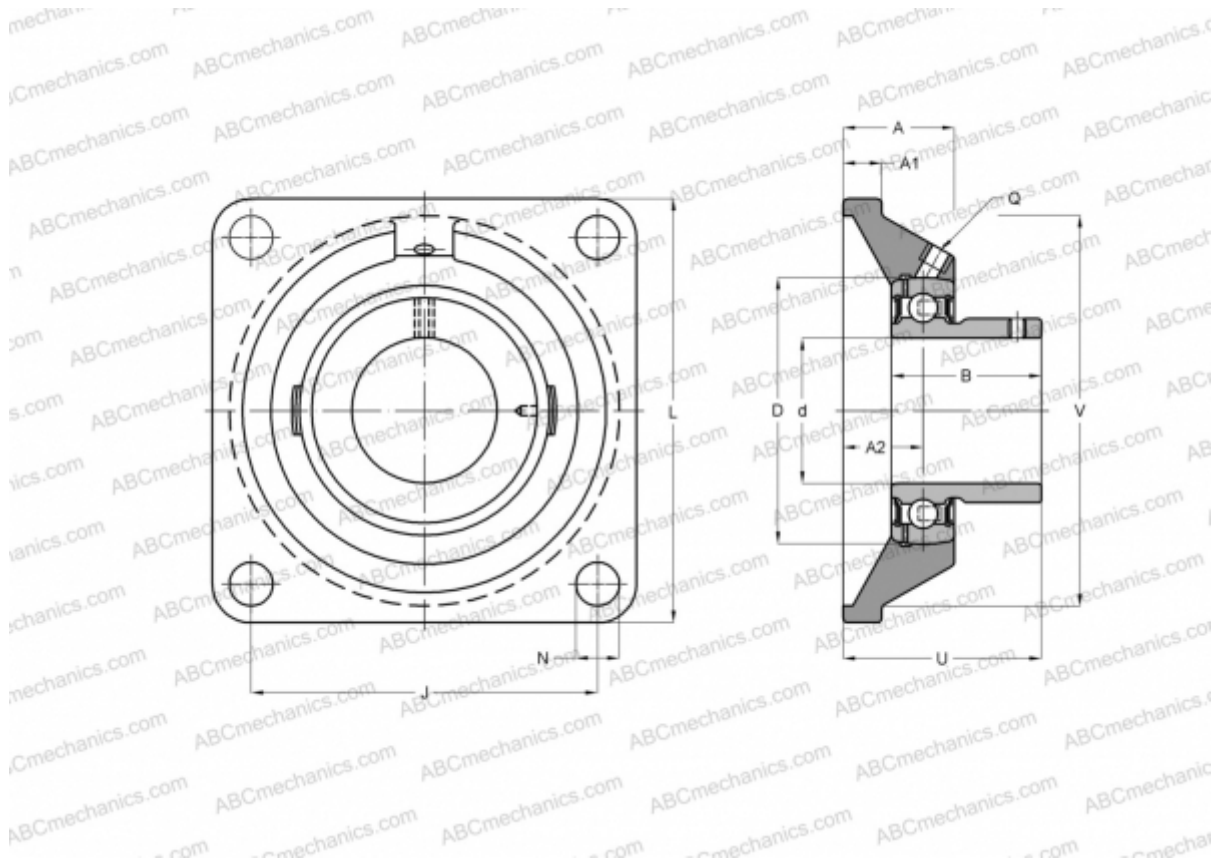


UCF 324 ASAHI

Ball bearing units

TYPE: Housing units, Four-bolt flanged housing units, Cast iron housing, Radial insert ball bearing with grub screws in inner ring, Type UCF (ASAHI)



Technical specification

DIMENSIONS, MM

d	120,000
D	260,000
B	126,000
L	370,000
A	110,000
J	290,000
A1	40,000
A2	65,000
N	41,000
U	140,000

MANUFACTURER

[ASAHI](#)

WEIGHT, KG

47,200

Bearing	UC 324
Housing	F 324