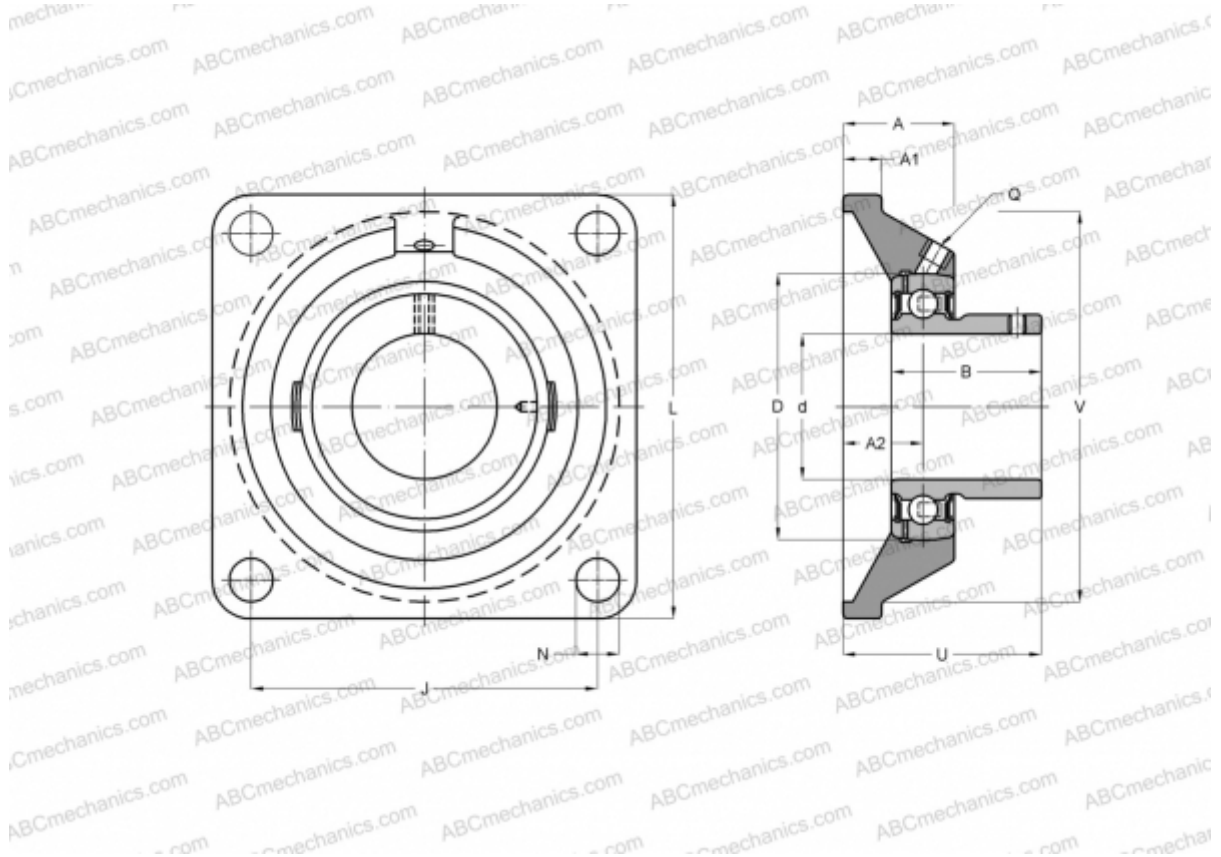


UCF 328 ASAHI

Ball bearing units

TYPE: Housing units, Four-bolt flanged housing units, Cast iron housing, Radial insert ball bearing with grub screws in inner ring, Type UCF (ASAHI)



Technical specification

DIMENSIONS, MM

| | |
|----|---------|
| d | 140,000 |
| D | 300,000 |
| B | 145,000 |
| L | 450,000 |
| A | 125,000 |
| J | 350,000 |
| A1 | 55,000 |
| A2 | 75,000 |
| N | 41,000 |
| U | 161,000 |

MANUFACTURER

[ASAHI](#)

WEIGHT, KG

87,000

| | |
|---------|--------|
| Bearing | UC 328 |
| Housing | F 328 |