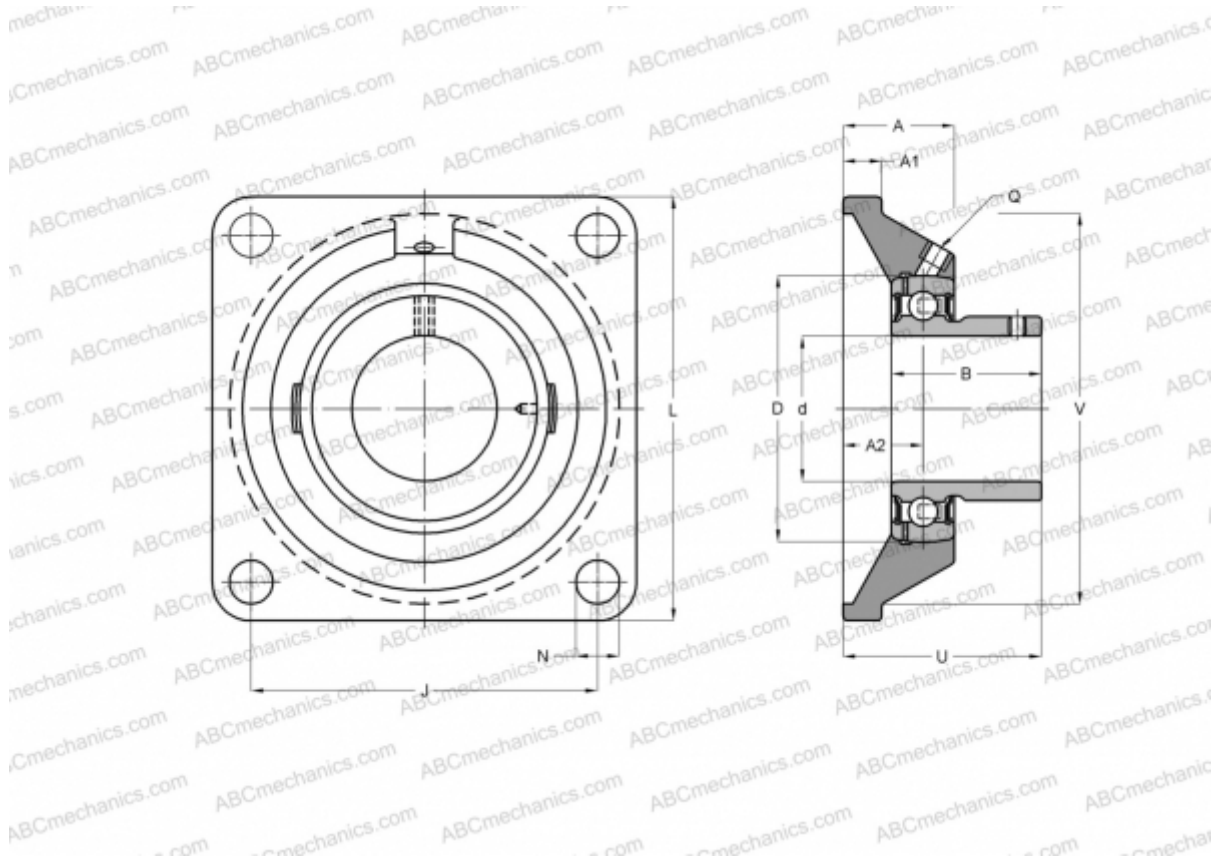


UCF X20 ASAHI

Ball bearing units

TYPE: Housing units, Four-bolt flanged housing units, Cast iron housing, Radial insert ball bearing with grub screws in inner ring, Type UCFX (ASAHI)



Technical specification

DIMENSIONS, MM

d	100,000
D	190,000
B	117,500
L	268,000
A	97,000
J	211,000
A1	31,000
A2	59,000
N	31,000
U	127,300

MANUFACTURER

[ASAHI](#)

WEIGHT, KG

16,800

Bearing	UC X20
Housing	F X20