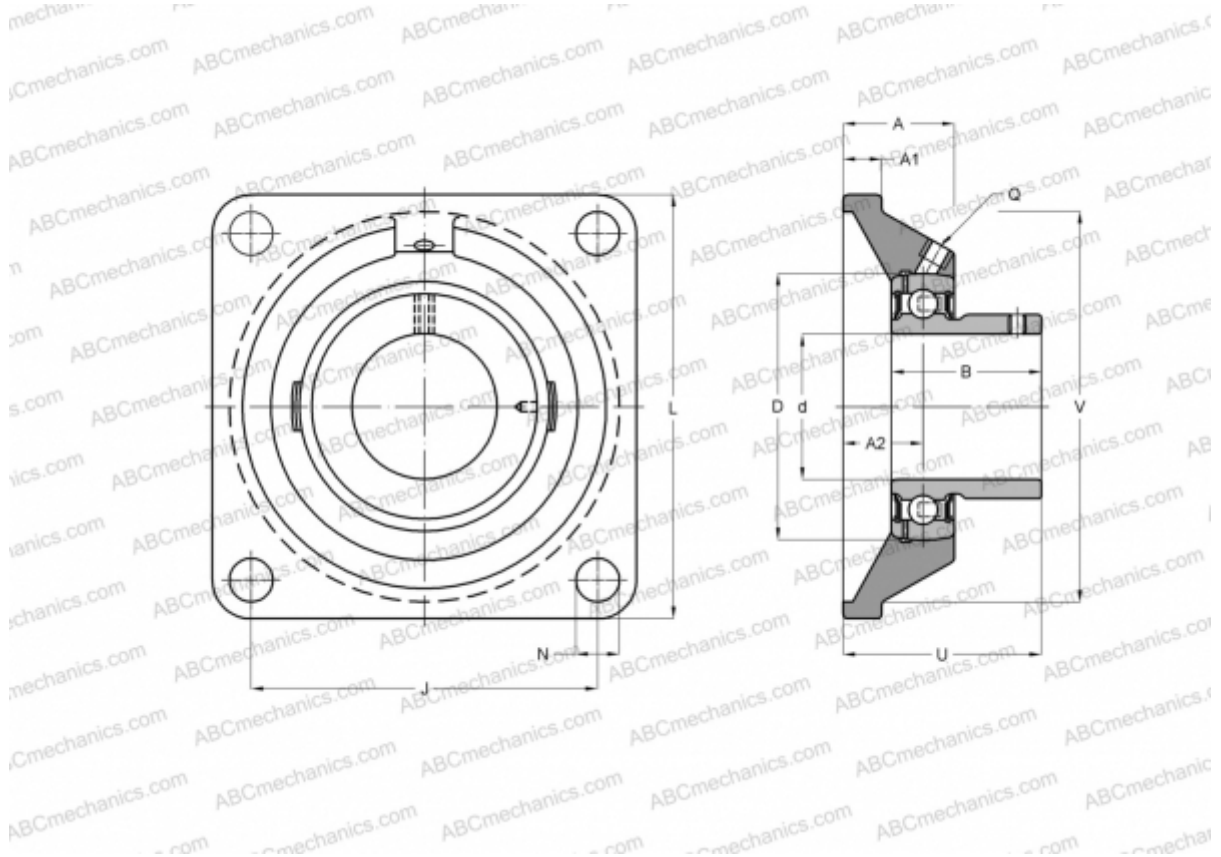


UCLF 211 ASAHI

Ball bearing units

TYPE: Housing units, Four-bolt flanged housing units, Cast iron housing, Radial insert ball bearing with grub screws in inner ring, Type UCLF (ASAHI)



Technical specification

DIMENSIONS, MM

| | |
|----|---------|
| d | 55,000 |
| D | 100,000 |
| B | 55,600 |
| L | 162,000 |
| A | 50,000 |
| J | 130,200 |
| A1 | 17,000 |
| A2 | 31,000 |
| N | 18,000 |
| U | 64,400 |

MANUFACTURER

[ASAHI](#)

WEIGHT, KG

3,600

| | |
|---------|--------|
| Bearing | UC 211 |
| Housing | LF 211 |