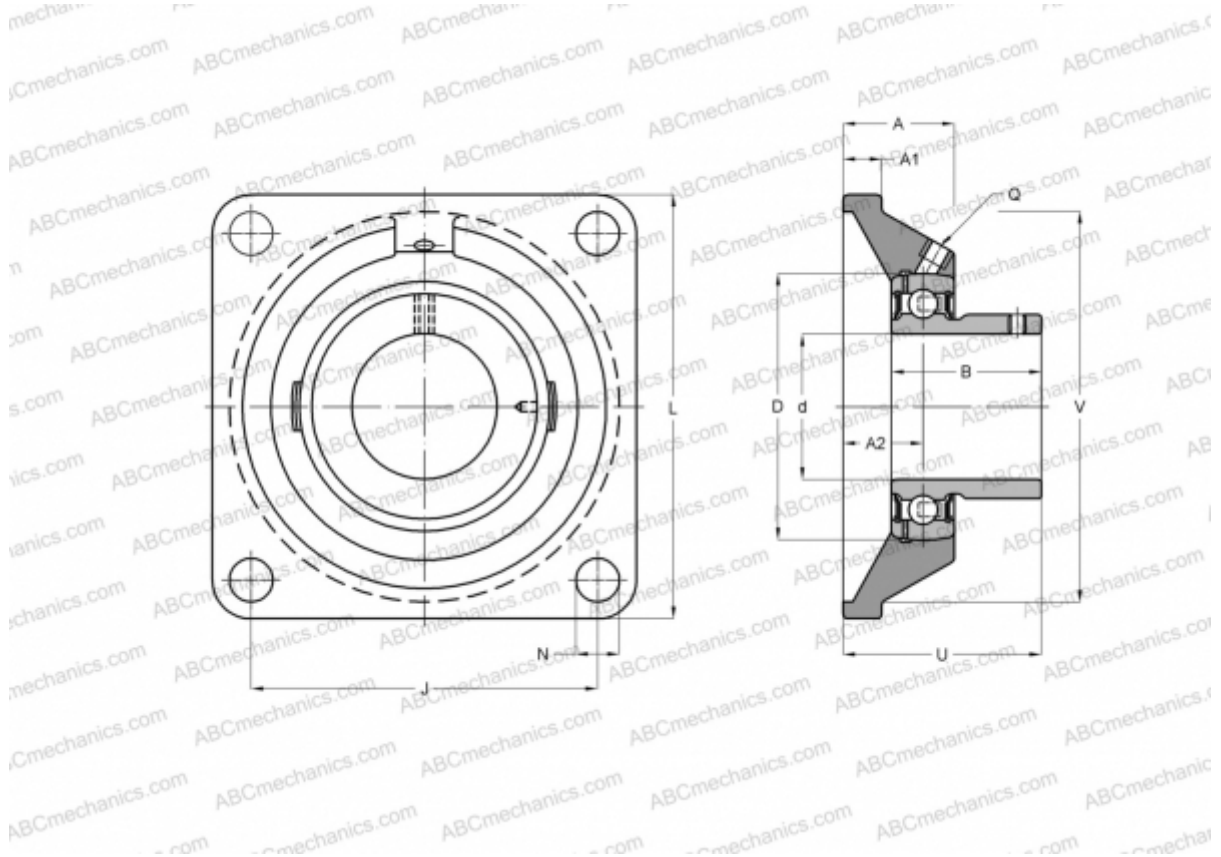


UCLF 212 ASAHI

Ball bearing units

TYPE: Housing units, Four-bolt flanged housing units, Cast iron housing, Radial insert ball bearing with grub screws in inner ring, Type UCLF (ASAHI)



Technical specification

DIMENSIONS, MM

d	60,000
D	110,000
B	65,100
L	175,000
A	55,000
J	142,900
A1	17,000
A2	34,100
N	18,000
U	73,800

MANUFACTURER

[ASAHI](#)

WEIGHT, KG

4,700

Bearing	UC 212
Housing	LF 212