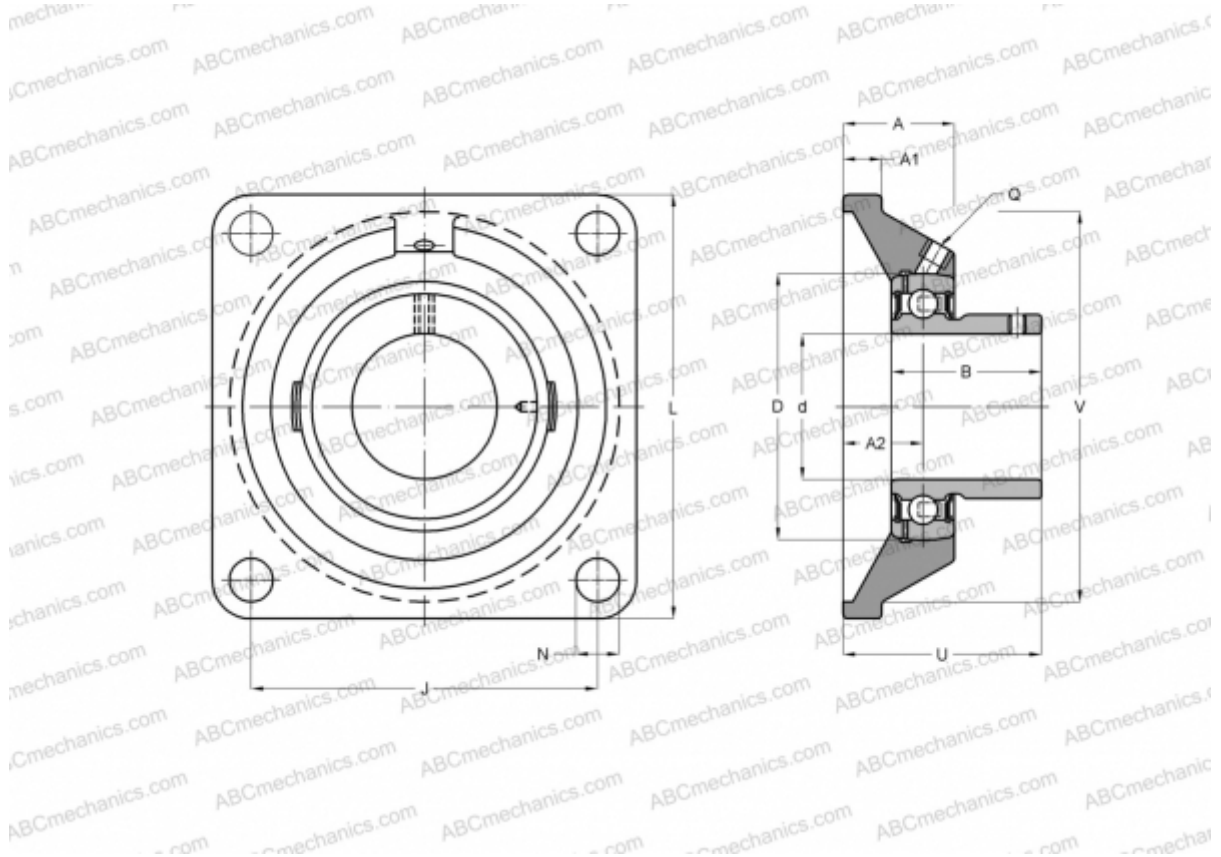


## UCFS 318 ASAHI

Ball bearing units

TYPE: Housing units, Four-bolt flanged housing units, Cast iron housing, Radial insert ball bearing with grub screws in inner ring, Type UCFS (ASAHI)



### Technical specification

#### DIMENSIONS, MM

|    |         |
|----|---------|
| d  | 90,000  |
| D  | 190,000 |
| B  | 96,000  |
| L  | 280,000 |
| A  | 56,000  |
| J  | 216,000 |
| A1 | 30,000  |
| N  | 35,000  |
| U  | 80,000  |
| V  | 240,000 |

#### MANUFACTURER

[ASAHI](#)

#### WEIGHT, KG

20,400

|         |        |
|---------|--------|
| Bearing | UC 318 |
| Housing | FS 318 |