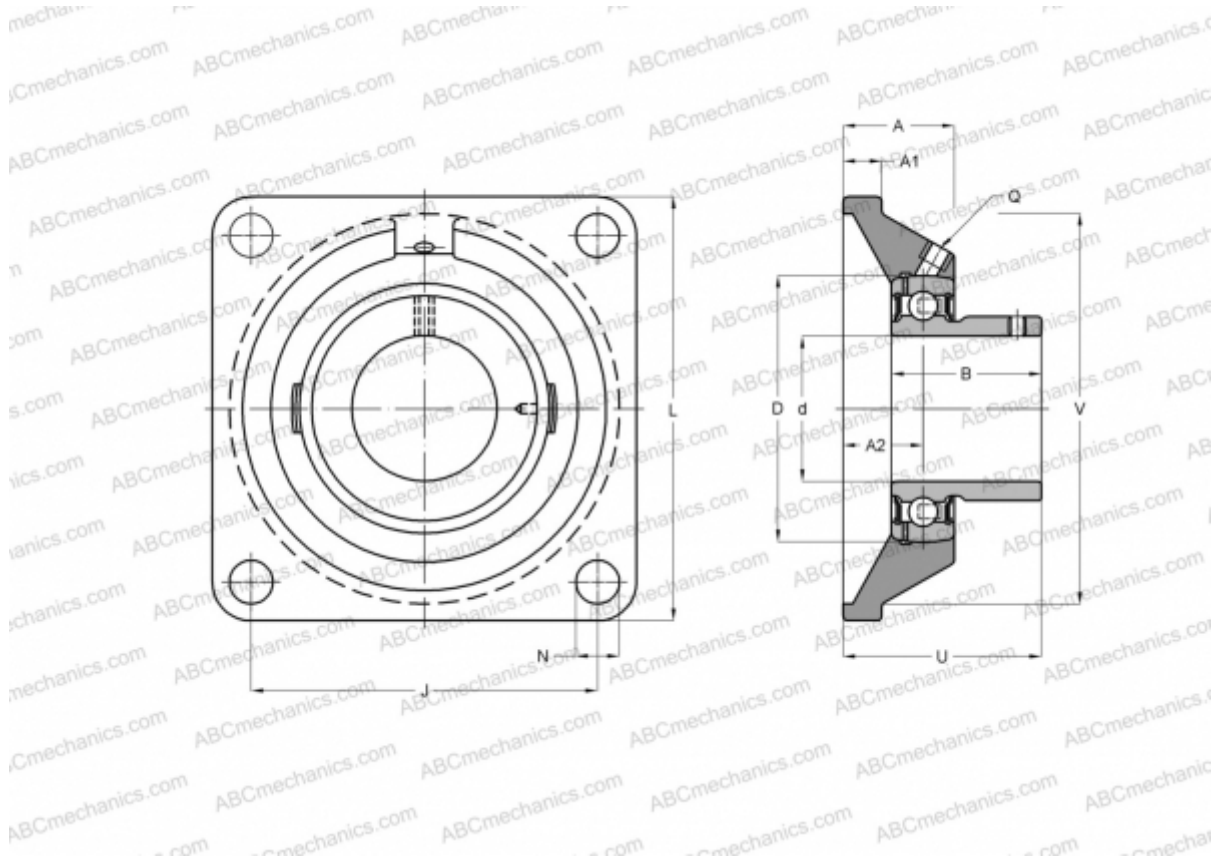


## UCFS 322 ASAHI

Ball bearing units

TYPE: Housing units, Four-bolt flanged housing units, Cast iron housing, Radial insert ball bearing with grub screws in inner ring, Type UCFS (ASAHI)



### Technical specification

#### DIMENSIONS, MM

d	110,000
D	240,000
B	117,000
L	340,000
A	71,000
J	266,000
A1	35,000
N	41,000
U	106,000
V	300,000

#### MANUFACTURER

[ASAHI](#)

#### WEIGHT, KG

36,800

Bearing	UC 322
Housing	FS 322