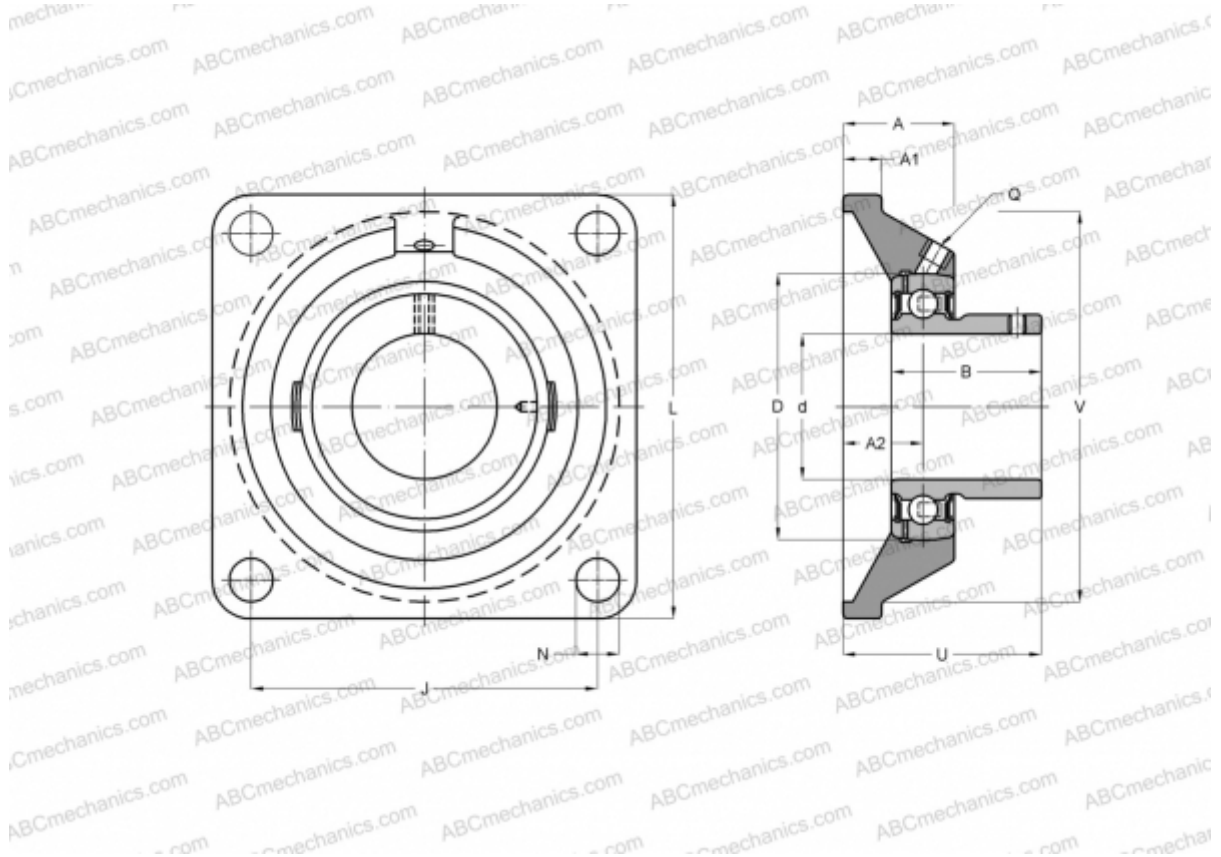


UCFS 326 ASAHI

Ball bearing units

TYPE: Housing units, Four-bolt flanged housing units, Cast iron housing, Radial insert ball bearing with grub screws in inner ring, Type UCFS (ASAHI)



Technical specification

DIMENSIONS, MM

| | |
|----|---------|
| d | 130,000 |
| D | 280,000 |
| B | 135,000 |
| L | 410,000 |
| A | 85,000 |
| J | 320,000 |
| A1 | 45,000 |
| N | 41,000 |
| U | 116,000 |
| V | 360,000 |

MANUFACTURER

[ASAHI](#)

WEIGHT, KG

67,800

| | |
|---------|--------|
| Bearing | UC 326 |
| Housing | FS 326 |