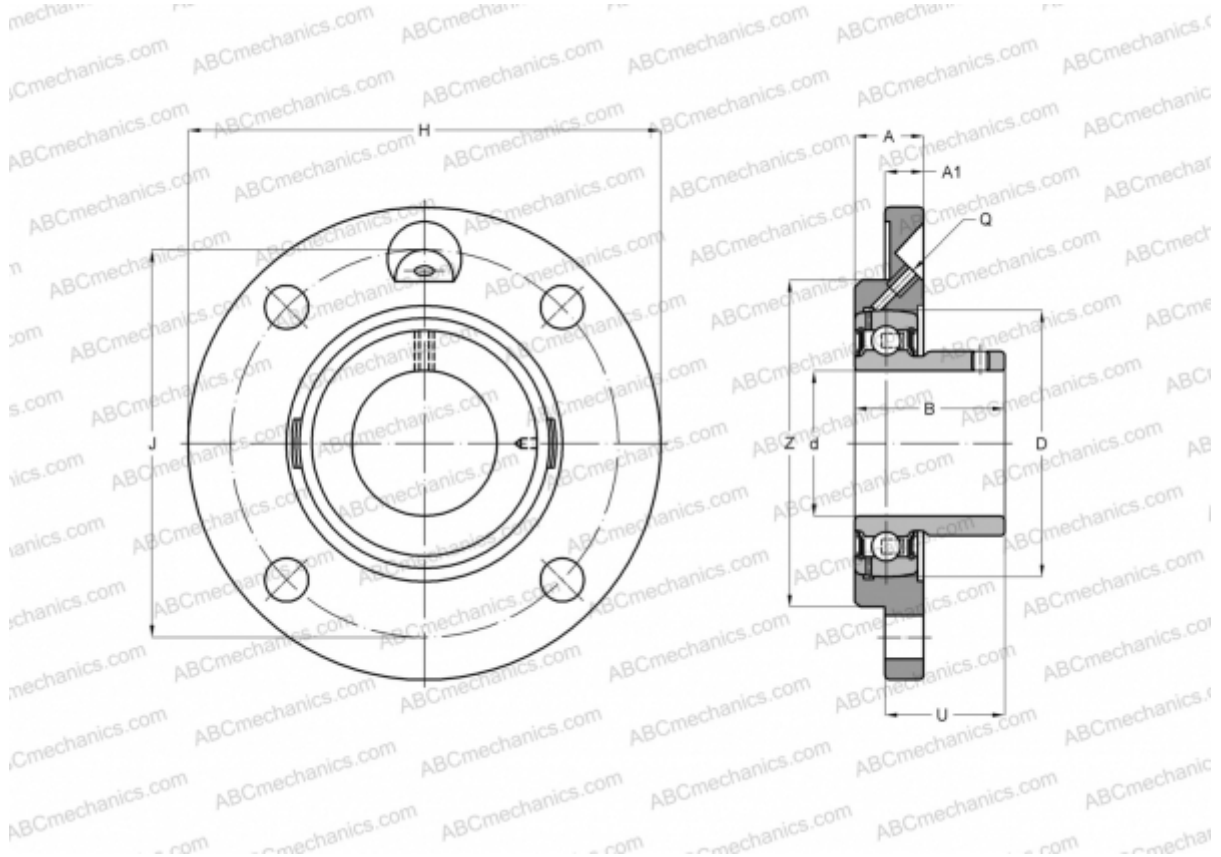


UCFC 209 ASAHI

Ball bearing units

TYPE: Housing units, Four-bolt flanged housing units, Cast iron housing, Radial insert ball bearing with grub screws in inner ring, Type UCFC (ASAHI)



Technical specification

DIMENSIONS, MM

d	45,000
D	85,000
B	49,200
H	160,000
A	26,000
J	132,000
A1	14,000
N	16,000
U	40,200

MANUFACTURER

[ASAHI](#)

WEIGHT, KG

3,000

Bearing	UC 209
Housing	FC 209