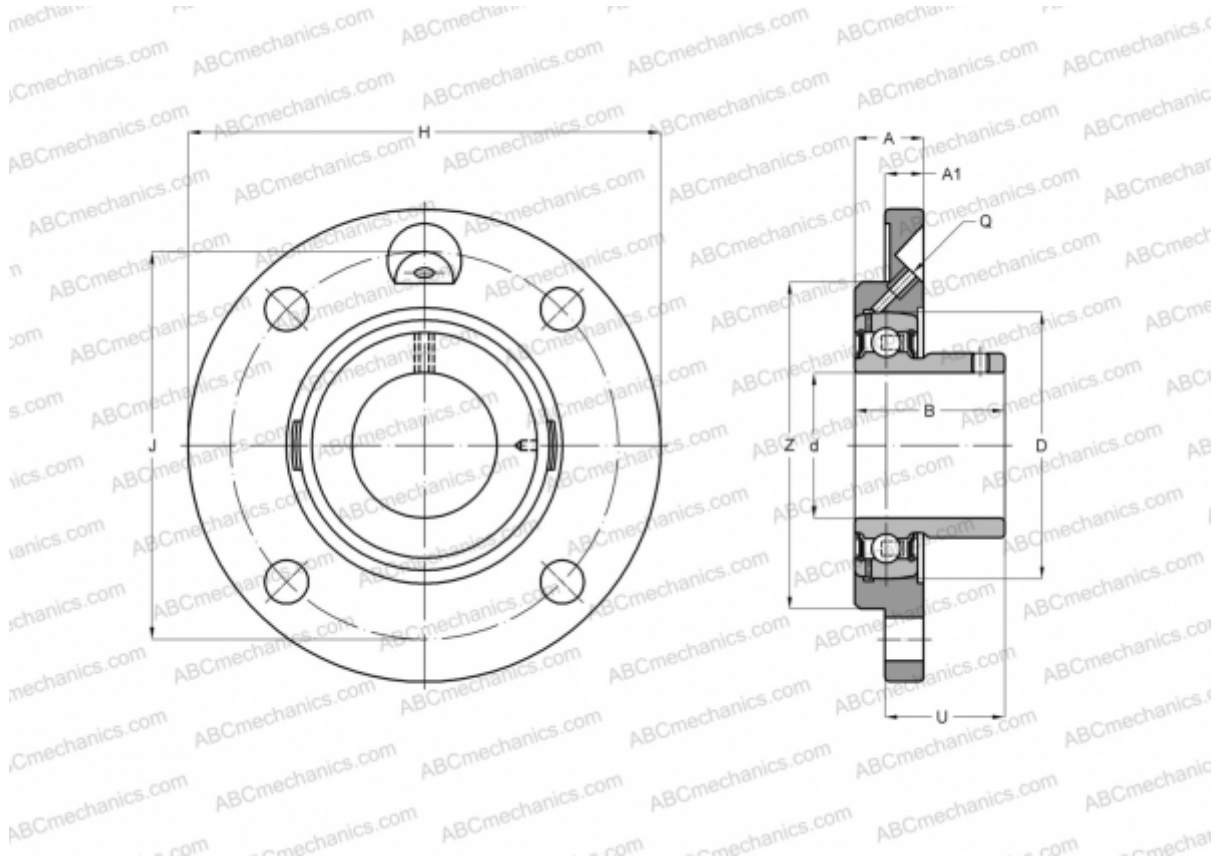


UCFC 211 ASAHI

Ball bearing units

TYPE: Housing units, Four-bolt flanged housing units, Cast iron housing, Radial insert ball bearing with grub screws in inner ring, Type UCFC (ASAHI)



Technical specification

DIMENSIONS, MM

d	55,000
D	100,000
B	55,600
H	185,000
A	31,000
J	150,000
A1	15,000
N	19,000
U	46,400

WEIGHT, KG

	3,900
Bearing	UC 211
Housing	FC 211

MANUFACTURER

[ASAHI](#)