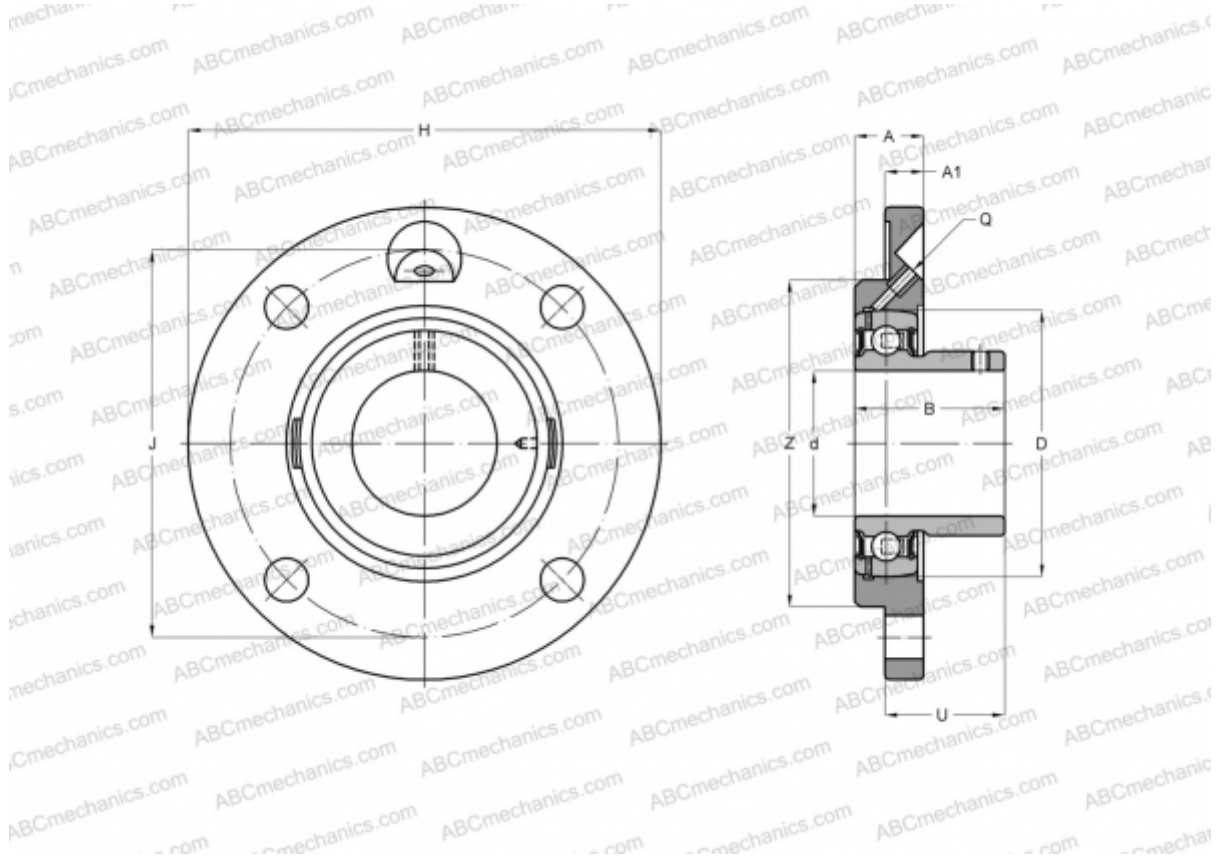


## UCFC 212 ASAHI

Ball bearing units

TYPE: Housing units, Four-bolt flanged housing units, Cast iron housing, Radial insert ball bearing with grub screws in inner ring, Type UCFC (ASAHI)



### Technical specification

#### DIMENSIONS, MM

d	60,000
D	110,000
B	65,100
H	195,000
A	36,000
J	160,000
A1	15,000
N	19,000
U	56,700

#### WEIGHT, KG

Bearing	UC 212
Housing	FC 212

#### MANUFACTURER

[ASAHI](http://www.asahi.com)