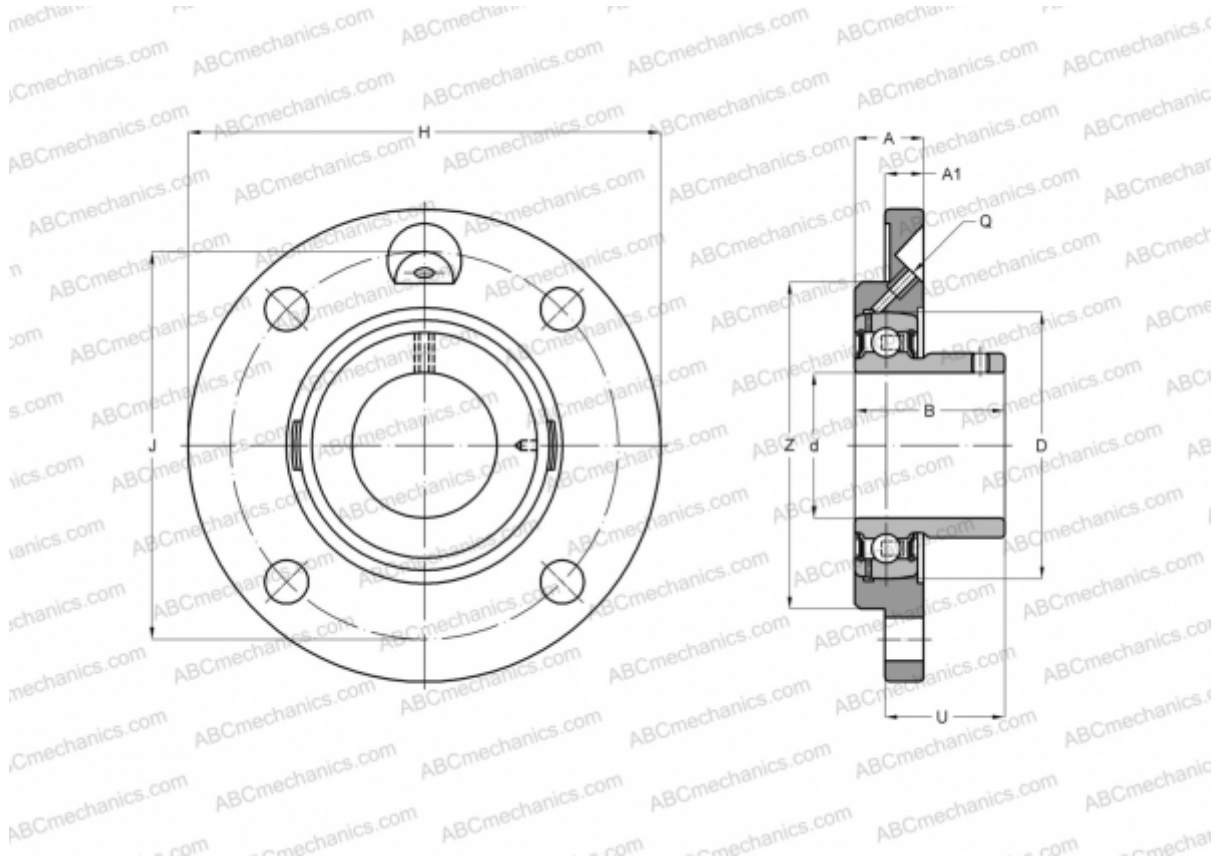


## UCFC 213 ASAHI

Ball bearing units

TYPE: Housing units, Four-bolt flanged housing units, Cast iron housing, Radial insert ball bearing with grub screws in inner ring, Type UCFC (ASAHI)



### Technical specification

#### DIMENSIONS, MM

d	65,000
D	120,000
B	65,100
H	205,000
A	36,000
J	170,000
A1	15,000
N	19,000
U	55,700

#### WEIGHT, KG

Bearing	UC 213
Housing	FC 213

#### MANUFACTURER

[ASAHI](#)