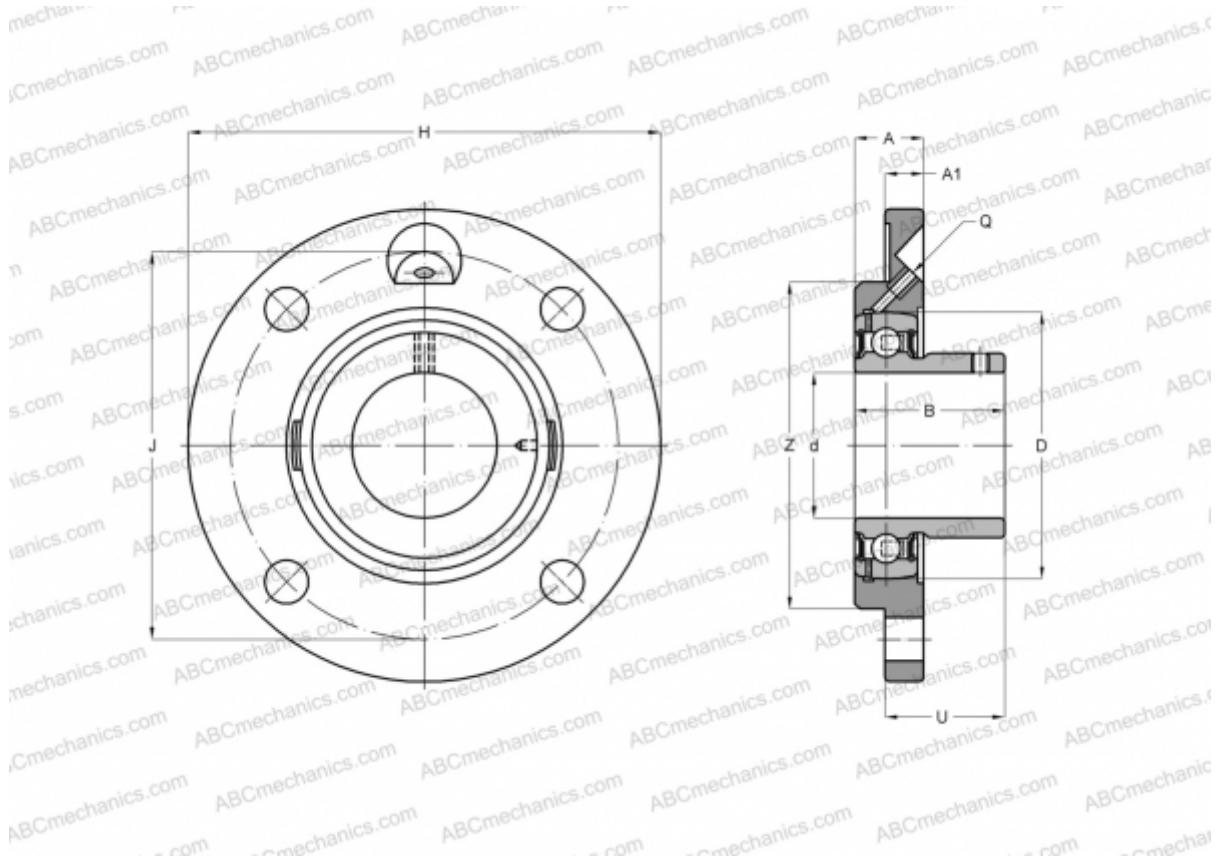


UCFC 215 ASAHI

Ball bearing units

TYPE: Housing units, Four-bolt flanged housing units, Cast iron housing, Radial insert ball bearing with grub screws in inner ring, Type UCFC (ASAHI)



Technical specification

DIMENSIONS, MM

d	75,000
D	130,000
B	77,800
H	220,000
A	40,000
J	184,000
A1	18,000
N	19,000
U	62,500

WEIGHT, KG

Bearing	UC 215
Housing	FC 215

MANUFACTURER

[ASAHI](#)