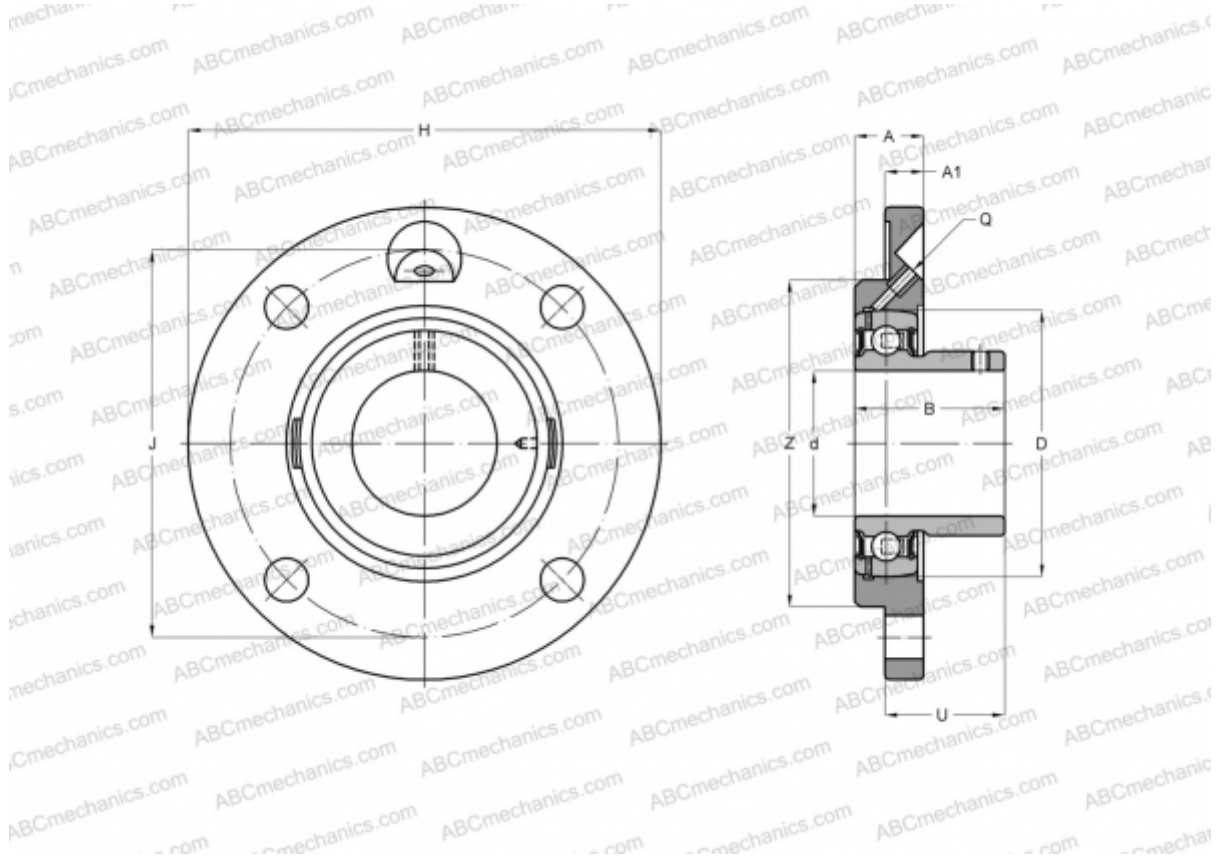


UCFC X06 ASAHI

Ball bearing units

TYPE: Housing units, Four-bolt flanged housing units, Cast iron housing, Radial insert ball bearing with grub screws in inner ring, Type UCFCX (ASAHI)



Technical specification

DIMENSIONS, MM

d	30,000
D	72,000
B	42,900
H	127,000
A	22,500
J	105,000
A1	9,500
N	12,000
U	33,400

WEIGHT, KG

Bearing	UC X06
Housing	FC X06

MANUFACTURER

[ASAHI](#)