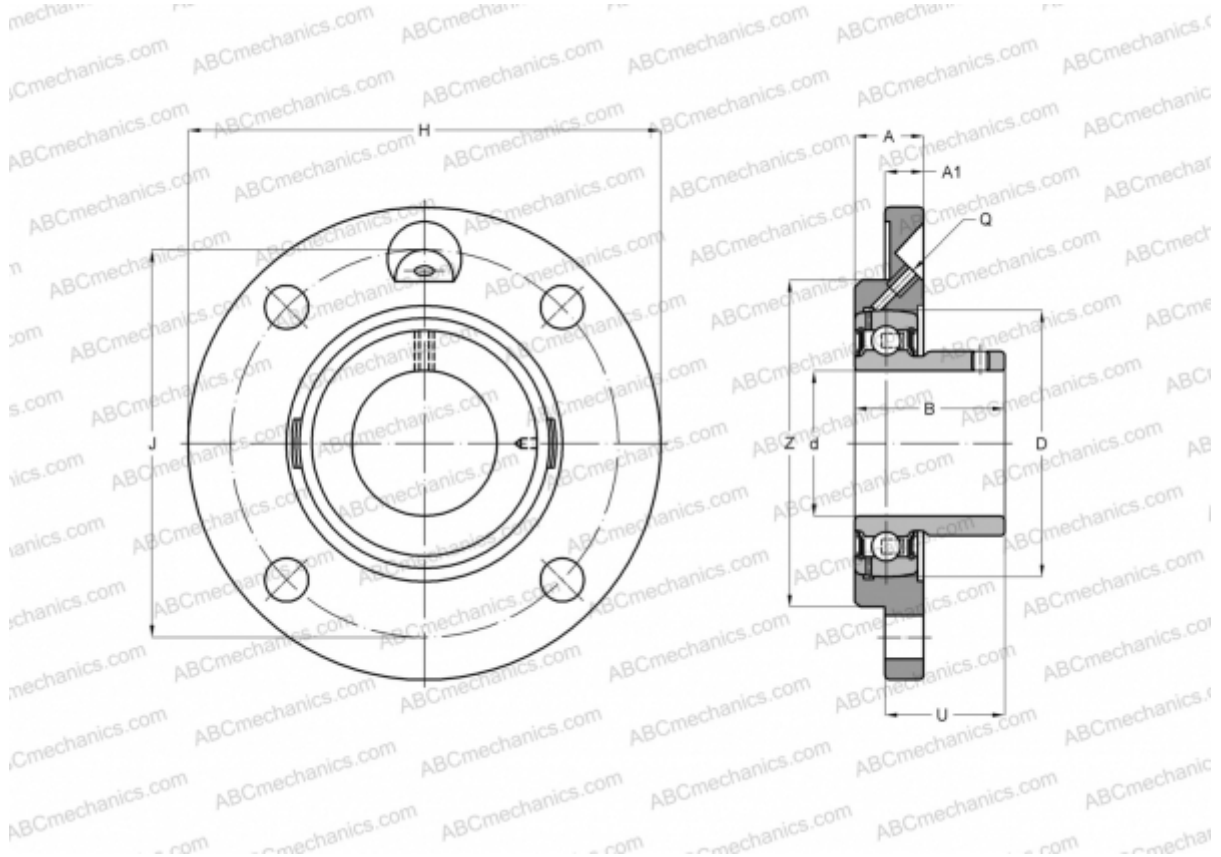


UCFC X16 ASAHI

Ball bearing units

TYPE: Housing units, Four-bolt flanged housing units, Cast iron housing, Radial insert ball bearing with grub screws in inner ring, Type UCFCX (ASAHI)



Technical specification

DIMENSIONS, MM

d	80,000
D	150,000
B	85,700
H	260,000
A	36,000
J	219,000
A1	19,000
N	23,000
U	61,600

WEIGHT, KG

	11,500
Bearing	UC X16
Housing	FC X16

MANUFACTURER

[ASAHI](#)