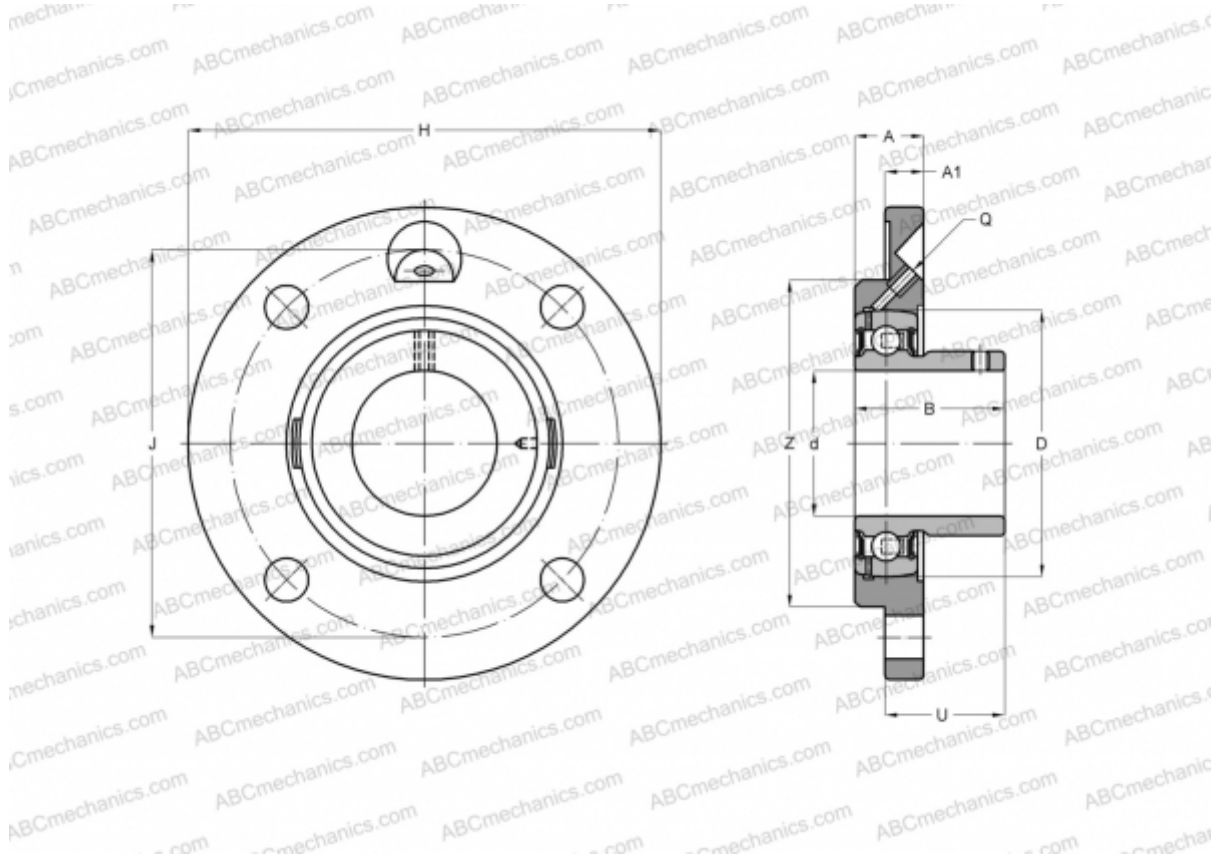


UCFC X17 ASAHI

Ball bearing units

TYPE: Housing units, Four-bolt flanged housing units, Cast iron housing, Radial insert ball bearing with grub screws in inner ring, Type UCFCX (ASAHI)



Technical specification

DIMENSIONS, MM

d	85,000
D	160,000
B	96,000
H	260,000
A	36,000
J	219,000
A1	19,000
N	23,000
U	66,300

MANUFACTURER

[ASAHI](#)

WEIGHT, KG

11,100

Bearing	UC X17
Housing	FC X17