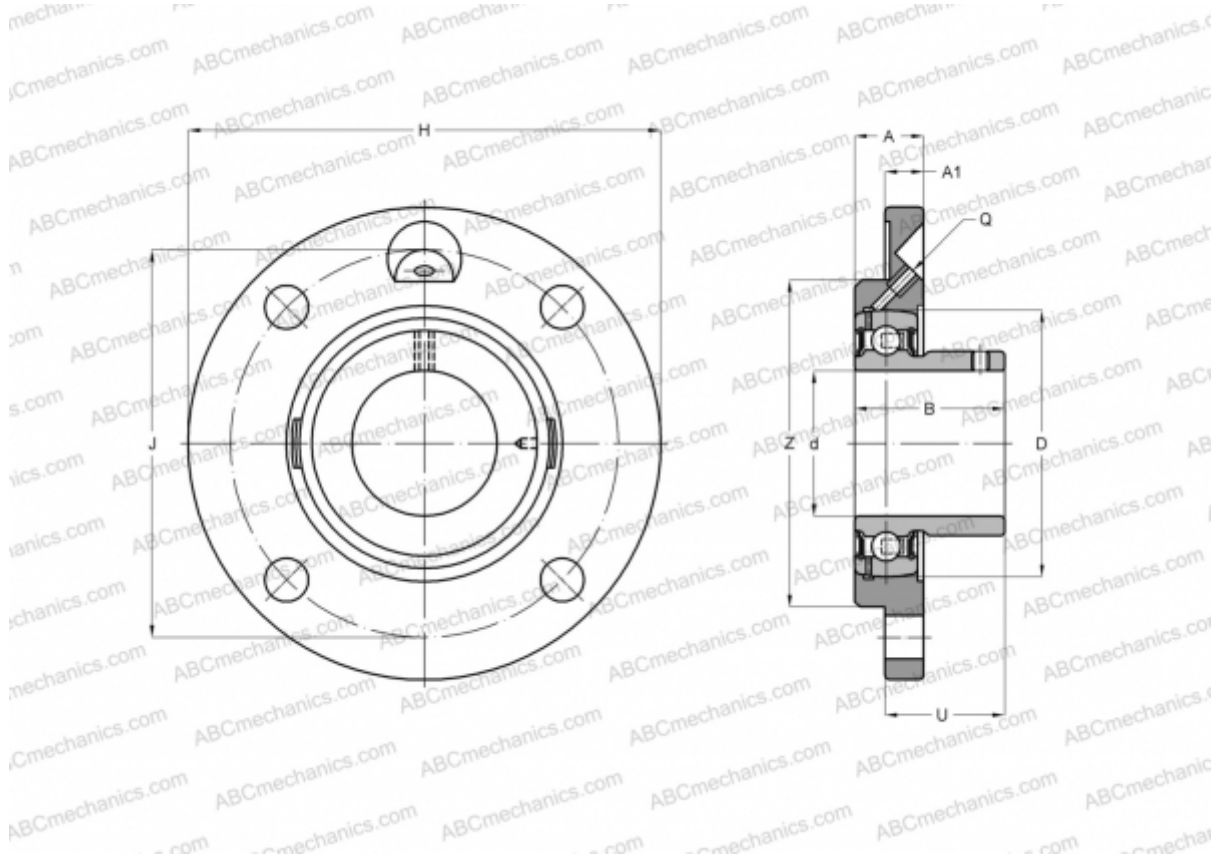


## UCFC X18 ASAHI

Ball bearing units

TYPE: Housing units, Four-bolt flanged housing units, Cast iron housing, Radial insert ball bearing with grub screws in inner ring, Type UCFCX (ASAHI)



### Technical specification

#### DIMENSIONS, MM

d	90,000
D	170,000
B	104,000
H	260,000
A	43,000
J	219,000
A1	19,000
N	23,000
U	73,100

#### MANUFACTURER

[ASAHI](#)

#### WEIGHT, KG

11,300

Bearing	UC X18
Housing	FC X18