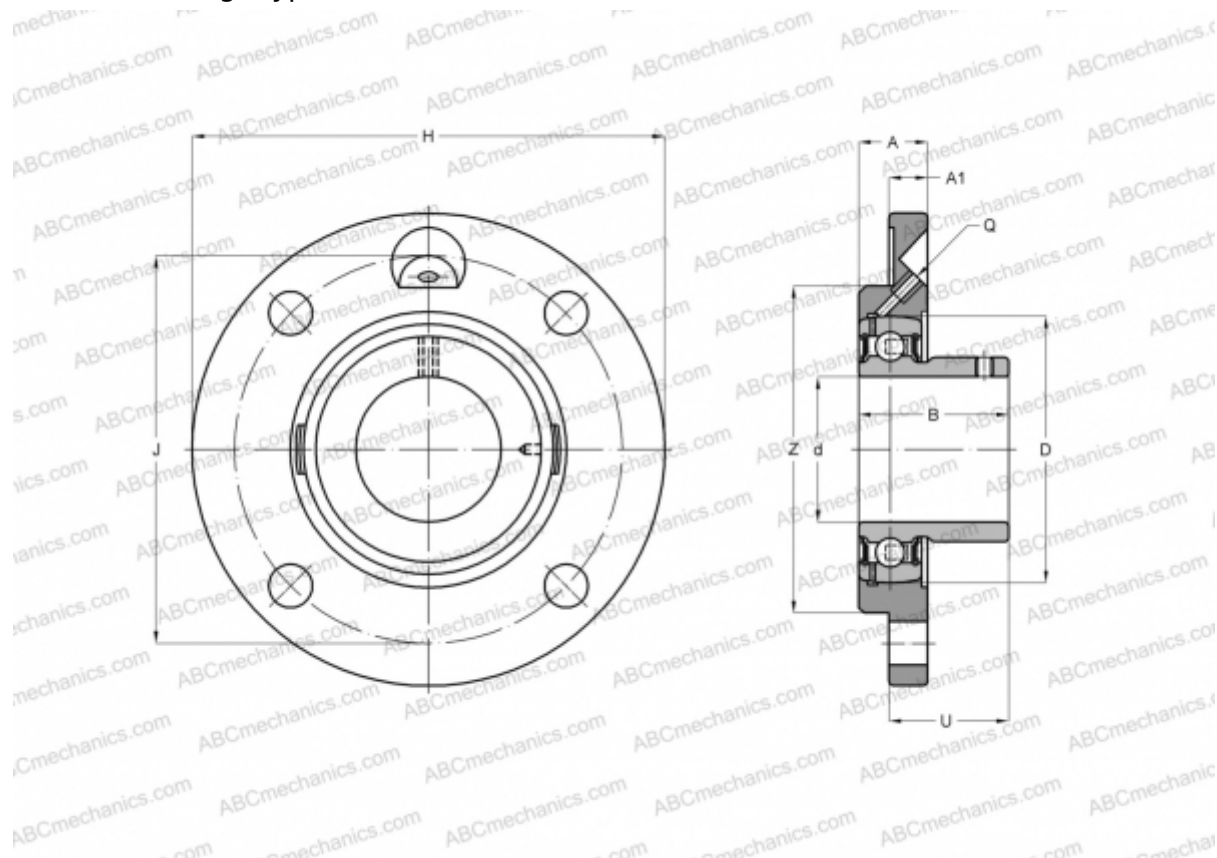


## UCFC X20 ASAHI

Ball bearing units

TYPE: Housing units, Four-bolt flanged housing units, Cast iron housing, Radial insert ball bearing with grub screws in inner ring, Type UCFCX (ASAHI)



### Technical specification

#### DIMENSIONS, MM

d	100,000
D	190,000
B	117,500
H	276,000
A	66,000
J	238,000
A1	22,000
N	23,000
U	90,300

#### MANUFACTURER

[ASAHI](http://www.asahi.com)

#### WEIGHT, KG

15,900

Bearing	UC X20
Housing	FC X20