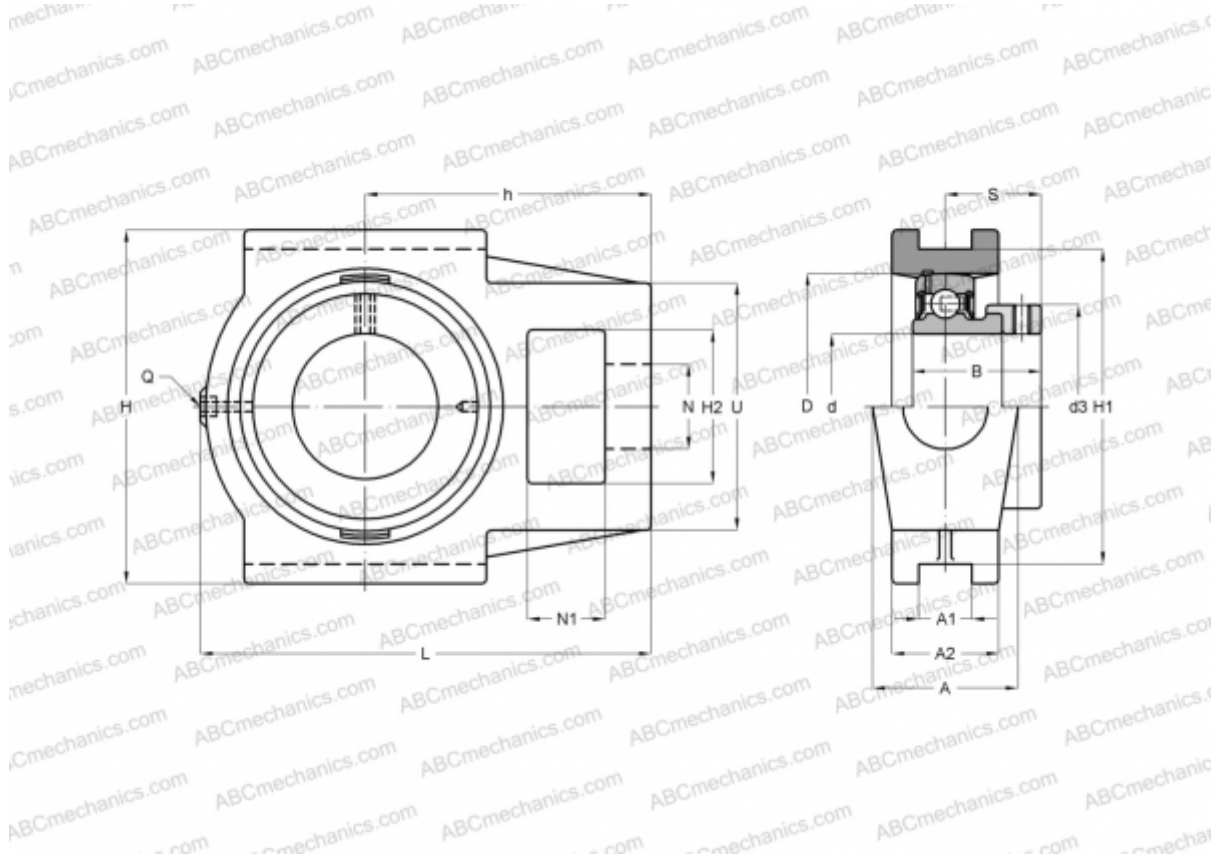


UDT 210 ASAHI

Ball bearing units

TYPE: Housing units, Take-up housing units, Cast iron housing, Radial insert ball bearing with eccentric locking collar, Type UDT (ASAHI)



Technical specification

DIMENSIONS, MM

d	50,000
D	90,000
B	43,000
L	149,000
H	117,000
A	49,000
H2	49,000
A1	16,000
A2	37,000
H1	102,000
N	29,000
N1	19,000
d3	63,000
U	83,000
h	90,000

WEIGHT, KG

	2,400
Bearing	UD 210 + EE
Housing	T 210

MANUFACTURER

[ASAHI](#)