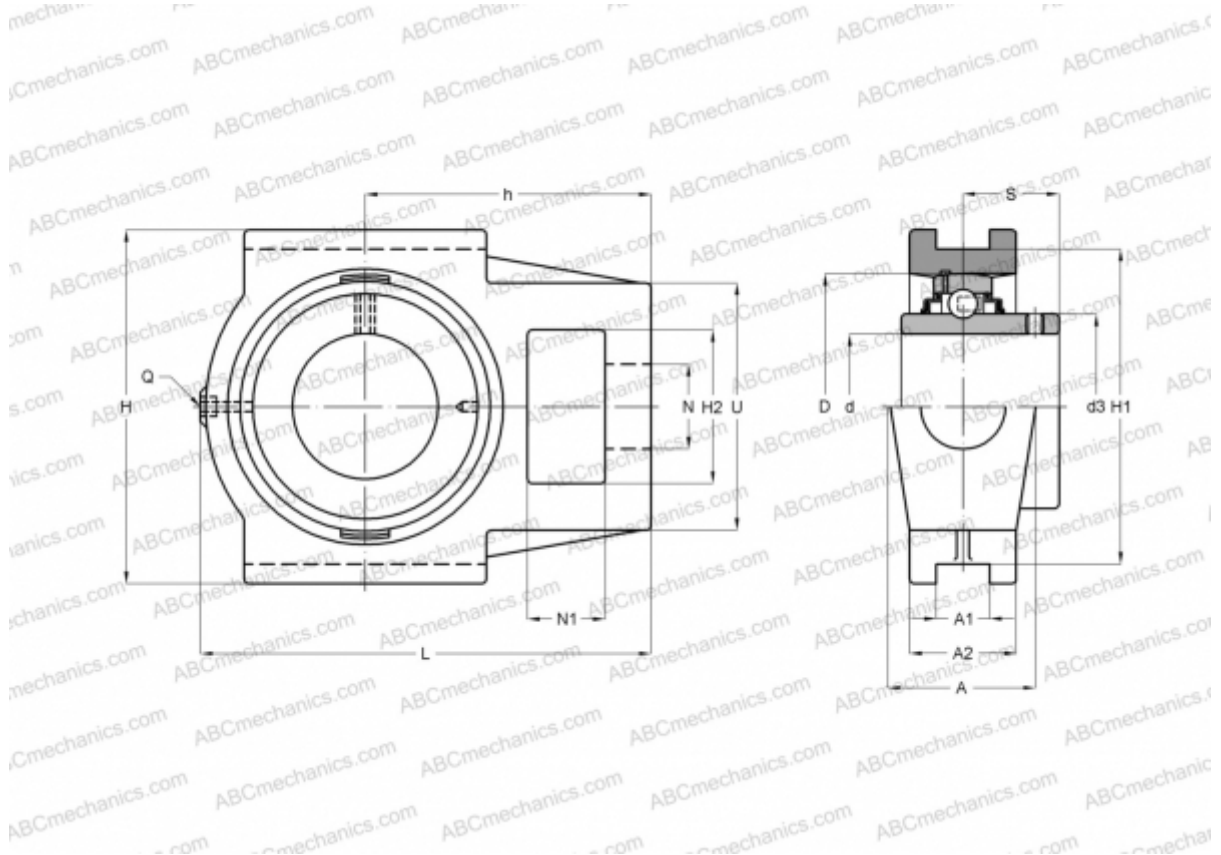


## UCT 209 ASAHI

Ball bearing units

TYPE: Housing units, Take-up housing units, Cast iron housing, Radial insert ball bearing with grub screws in inner ring, Type UCT (ASAHI)



### Technical specification

#### DIMENSIONS, MM

d	45,000
D	85,000
B	49,200
L	144,000
H	117,000
A	49,000
H2	49,000
A1	16,000
A2	35,000
H1	102,000
N	29,000
N1	19,000
S	30,200
d3	57,300
U	83,000

#### DIMENSIONS, MM

h	87,000
---	--------

#### WEIGHT, KG

Weight	2,400
Bearing	UC 209
Housing	T 209

#### MANUFACTURER

[ASAHI](#)