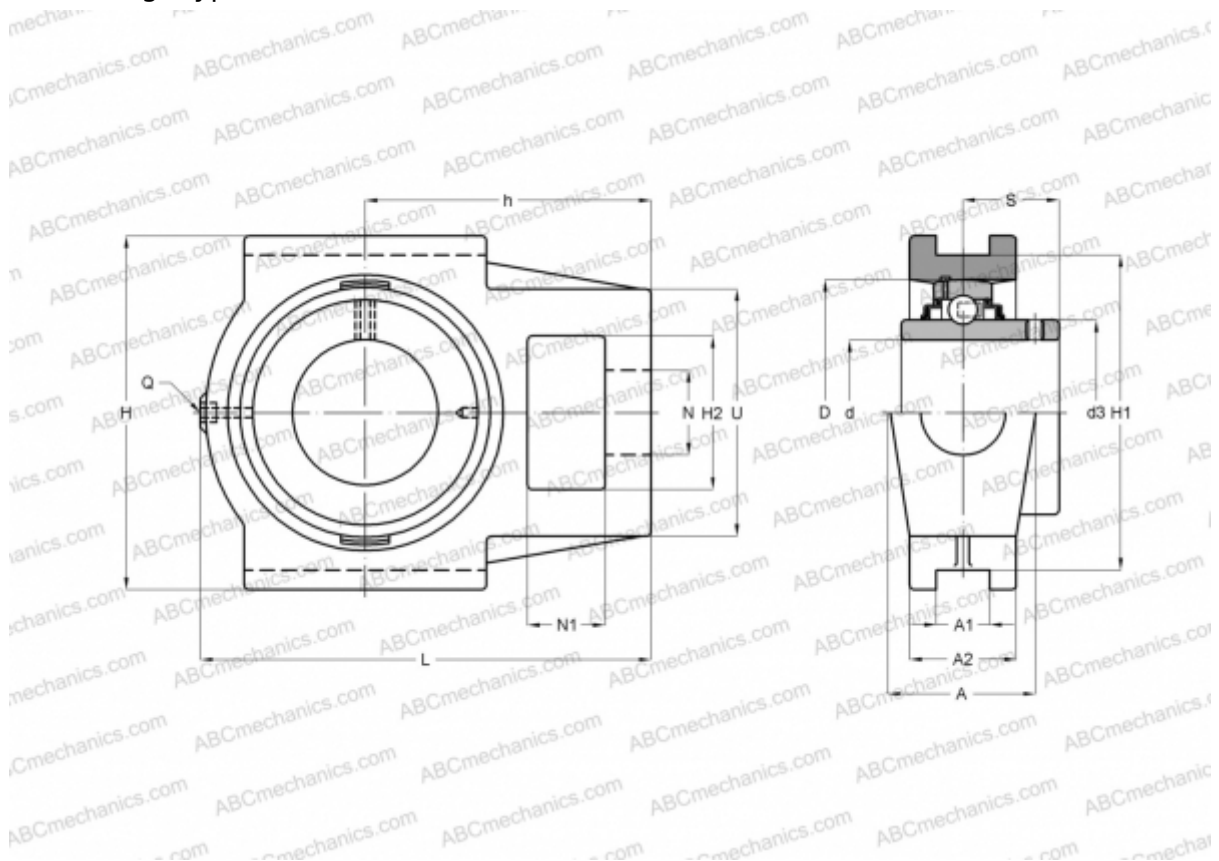


## UCT 210 ASAHI

Ball bearing units

TYPE: Housing units, Take-up housing units, Cast iron housing, Radial insert ball bearing with grub screws in inner ring, Type UCT (ASAHI)



### Technical specification

#### DIMENSIONS, MM

d	50,000
D	90,000
B	51,600
L	149,000
H	117,000
A	49,000
H2	49,000
A1	16,000
A2	37,000
H1	102,000
N	29,000
N1	19,000
S	32,600
d3	63,000
U	83,000

#### DIMENSIONS, MM

h	90,000
---	--------

#### WEIGHT, KG

	2,500
Bearing	UC 210
Housing	T 210

#### MANUFACTURER

[ASAHI](#)